

SSWM Series – Stainless Steel Wall Mount Enclosures

moduline
ENCLOSURE SYSTEMS

Delivery

Fully welded enclosure supplied with:

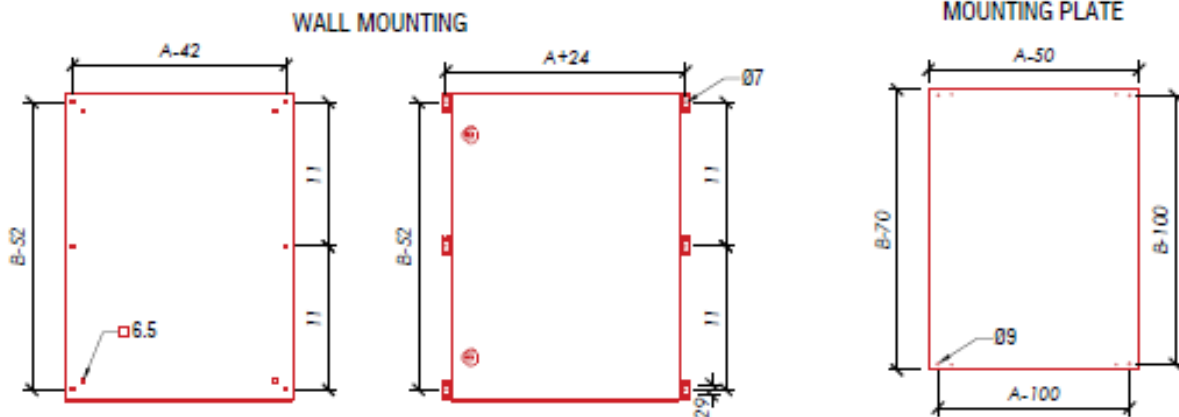
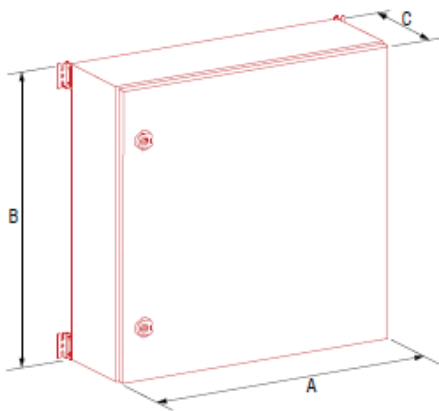
- Solid / glazed door
- Foamed-in door PU sealing gasket
- Mounting plate
- Locking system:
 - 5mm double-bit insert chrome coated zamak lock
 - double door enclosures have rod-system
- Bottom gland plate with gasket
- Hardware for earth connection and screws for mounting plate
- Stainless Steel 135° concealed hinges



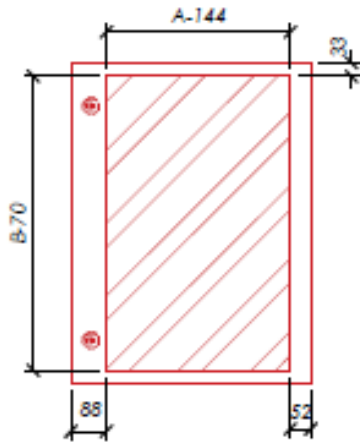
Specifications

Materials:	Stainless Steel 316 grade <ul style="list-style-type: none"> • Enclosure thickness: 1.2mm • Door thickness: 1.2mm • Galvanised steel mounting plate: 2.0mm
Treatment:	Pre-satinised
Surface Finish:	Enclosure: Scotch-brite brushed Stainless Steel Mounting Plate: Unpainted natural
Protection Ratings:	<ul style="list-style-type: none"> • Single Door enclosures - IP66 • Double Door enclosures - IP55 • Complying with IEC EN60529, TS 3033 • Type 12 complying with UL508A • Impact resistance IK10 complying with EN62208; EN50102C
Properties:	High protection degree guaranteed by the two-component silicone foam seal
Standards & Compliance:	IEC EN62202; EN62208; EN60529; UL508A; CE, RoHS

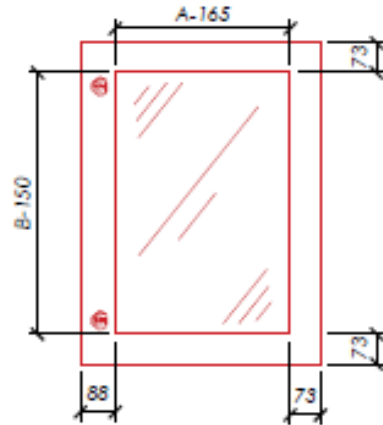
Product images and dimensions



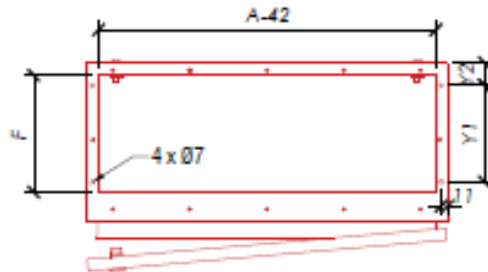
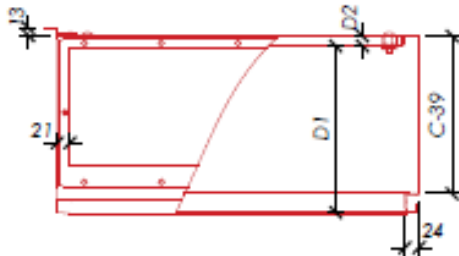
SOLID DOOR USEFUL AREA



GLAZED DOOR APPARENT AREA

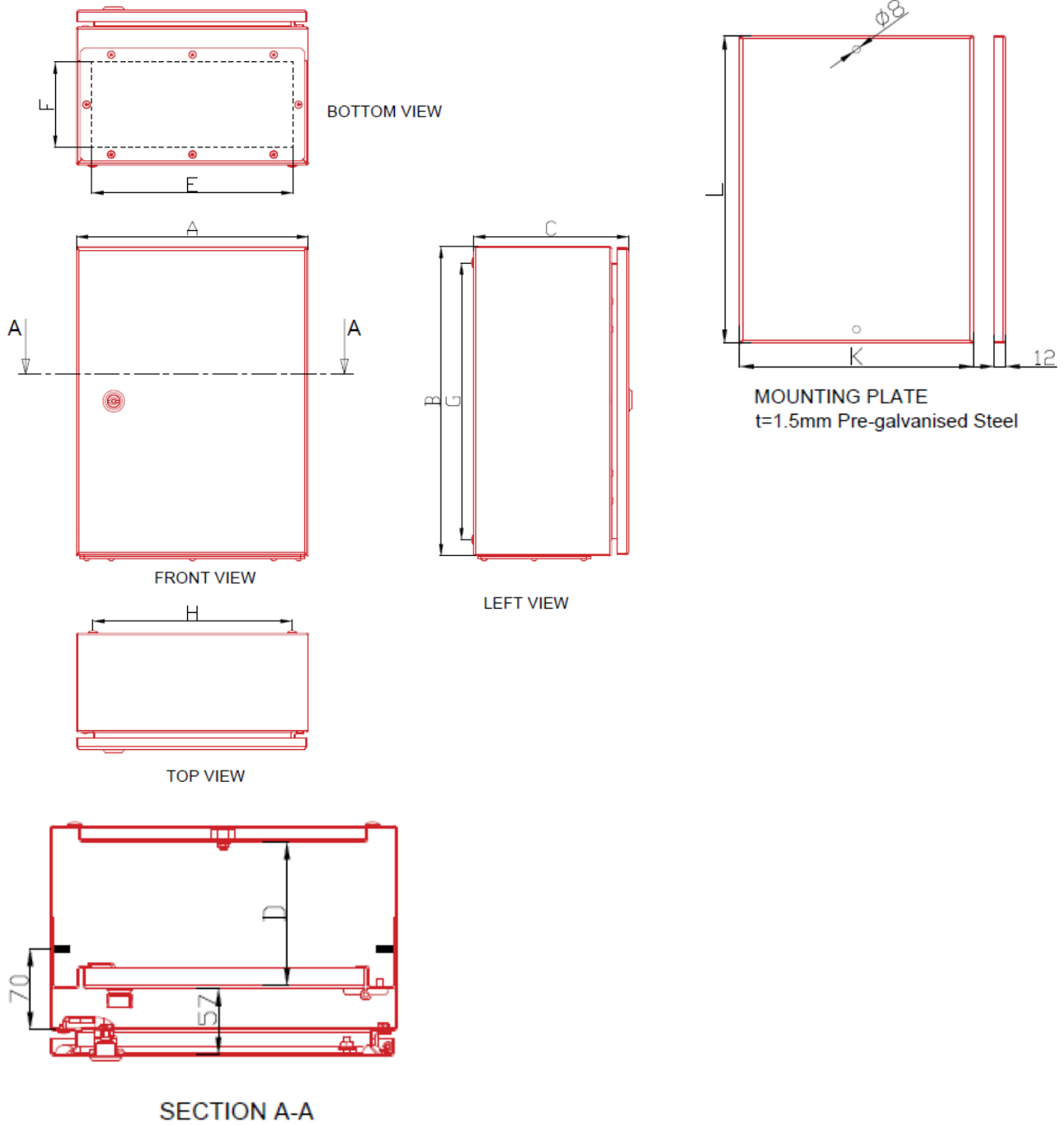


DEPTH DIMENSIONS



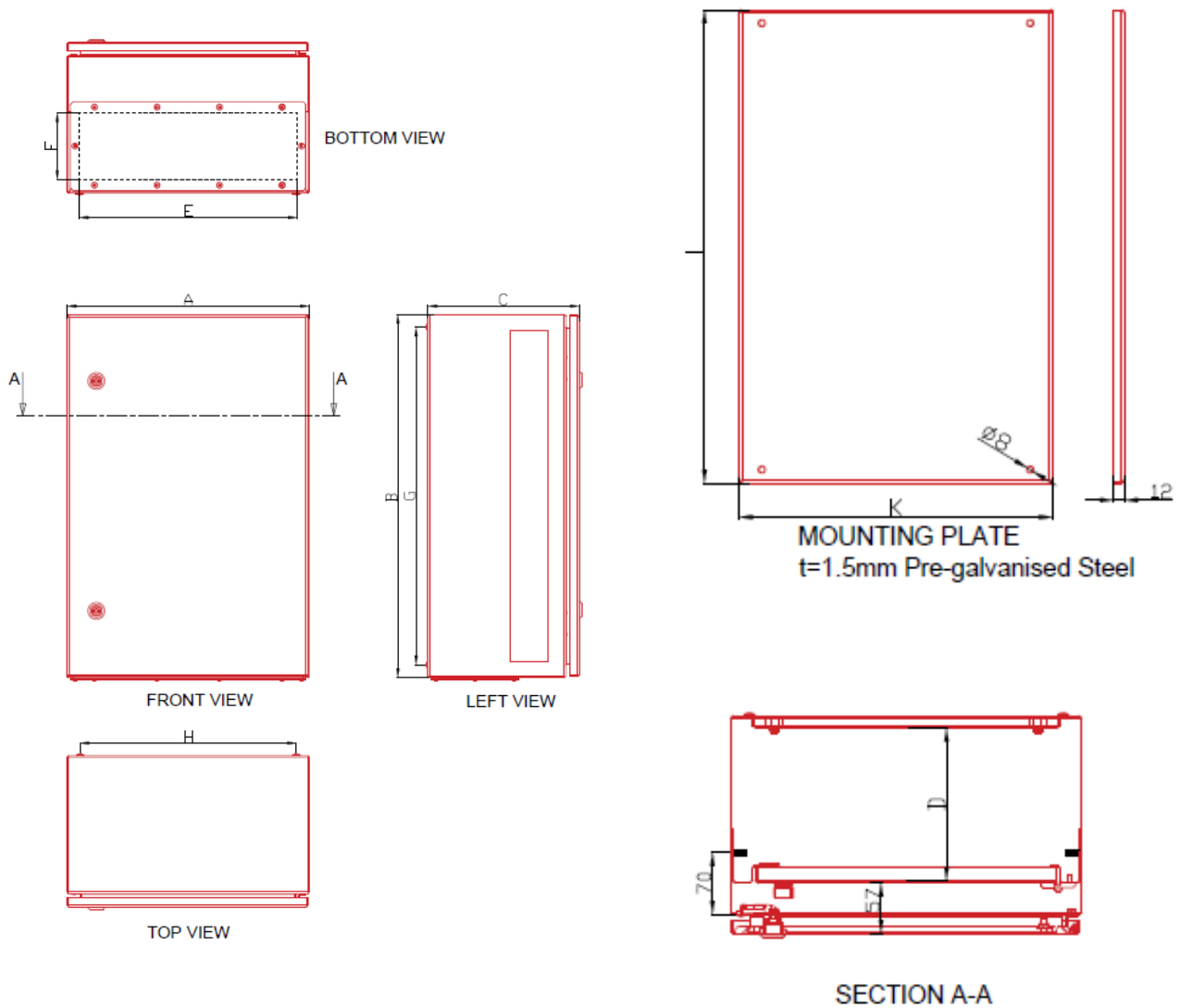
Single Door Enclosure dimensions

Part No.	A	B	C	D	E	F	G	H	K	L	No. Locks
SSWM2-315	200	300	150	74	160	60	258	158	150	230	1
SSWM3-320	300	300	200	124	260	110	258	258	250	230	1
SSWM3-415	300	400	150	74	260	60	358	258	250	330	1
SSWM3-420	300	400	200	124	260	110	358	258	250	330	1
SSWM4-420	400	400	200	124	360	110	358	358	350	330	1
SSWM4-520	400	500	200	124	360	110	458	358	350	430	1
SSWM5-520	500	500	200	124	460	110	458	458	450	430	1



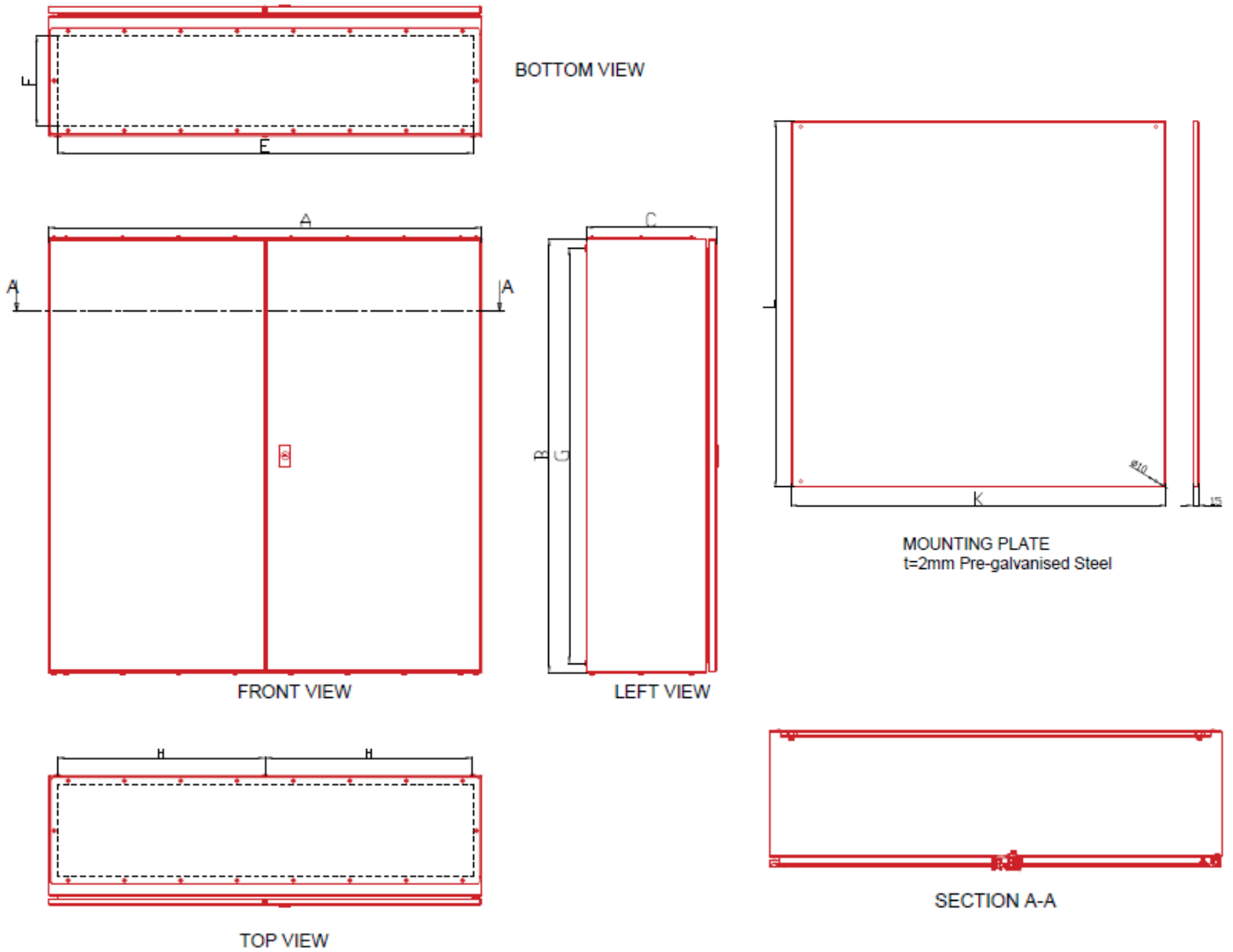
Single Door Enclosure dimensions cont...

Part No.	A	B	C	D	E	F	G	H	K	L	No. Locks
SSWM4-620	400	600	200	124	360	110	558	358	350	530	2
SSWM5-725	500	700	250	174	460	110	658	458	450	630	2
SSWM6-620	600	600	200	124	560	110	558	558	550	530	2
SSWM6-630	600	600	300	224	560	210	558	558	550	530	2
SSWM6-820	600	800	200	124	560	110	758	558	550	730	2
SSWM6-830	600	800	300	224	560	210	758	558	550	730	2
SSWM6-1230	600	1200	300	224	560	210	1158	558	550	1130	2
SSWM8-830	800	800	300	224	760	210	758	758	750	730	2
SSWM8-1030	800	1000	300	224	760	210	958	758	750	930	2
SSWM8-1230	800	1200	300	224	760	210	1158	758	750	1130	2



Double Door Enclosure dimensions

Part No.	A	B	C	D	E	F	G	H	K	L	No. Locks
SSWM10-1030	1000	1000	300	-	960	210	958	479	950	930	ROD SYSTEM
SSWM10-1230	1000	1200	300	-	960	210	1158	479	950	1130	ROD SYSTEM



Subject to change without notice