

JS Series - Junction Boxes



Moduline Junction Box manufactured from 1.2mm sheet steel with gland plates complete with gasket.

Specifications

Material:	1.2 mm thick Sheet Steel
Colours/Surface Finish:	Grey RAL7035 Textured Finish
Treatment:	Polyester Powder Coating RAL7035w
Protection Ratings:	IP55 (EN 60529)
Corrosion Class:	ISO12944 - C2 (low) – Dry Areas, Areas beyond at least 50km from sea or sources of significant pollution.
Properties:	Screwed Plain Lid
Notes:	Mounting Plate sold separately

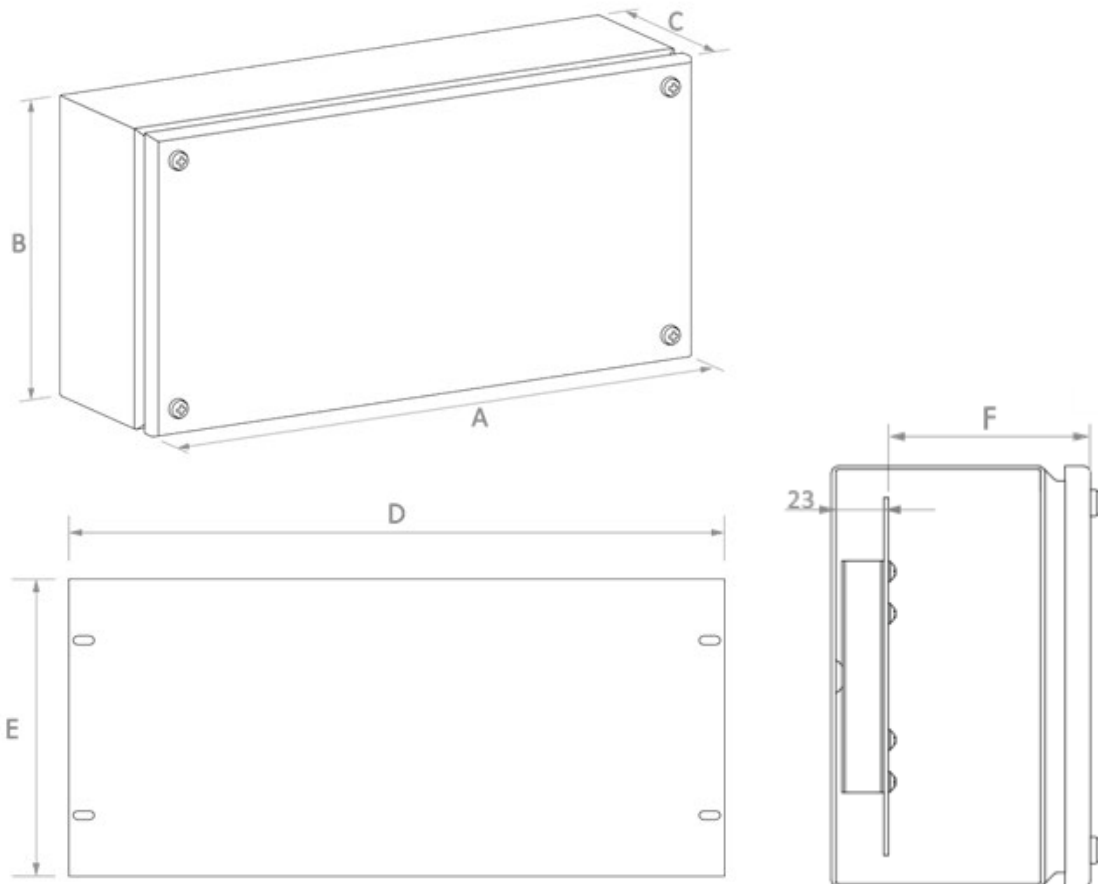
Product Image



Product Dimensions

Part No.:	Enclosure Dimensions			Mounting Plate		
	A	B	C	D	E	F
JB1108	150	150	80	125	120	57
JB2208	200	200	80	175	170	57
JB3208	300	200	80	275	170	57
JB4208	400	200	80	375	170	57
JB1112	150	150	120	125	120	97
JB2212	200	200	120	175	170	97
JB3212	300	200	120	275	170	97
JB3312	300	300	120	275	270	97
JB4212	400	200	120	375	170	97
JB4312	400	300	120	375	270	97

Measurements are in mm



Subject to change without notice