

JBSS Series – Stainless Steel Junction Boxes



**Specifications**

<b>Material:</b>	1.2mm thick Stainless Steel 316 grade
<b>Colours/Finish:</b>	Stainless Steel
<b>Treatment:</b>	Scotch bright finish
<b>Protection Ratings:</b>	IP55 (EN 60529)
<b>Properties:</b>	Screwed Plain Lid
<b>Notes:</b>	Mounting Plate sold separately

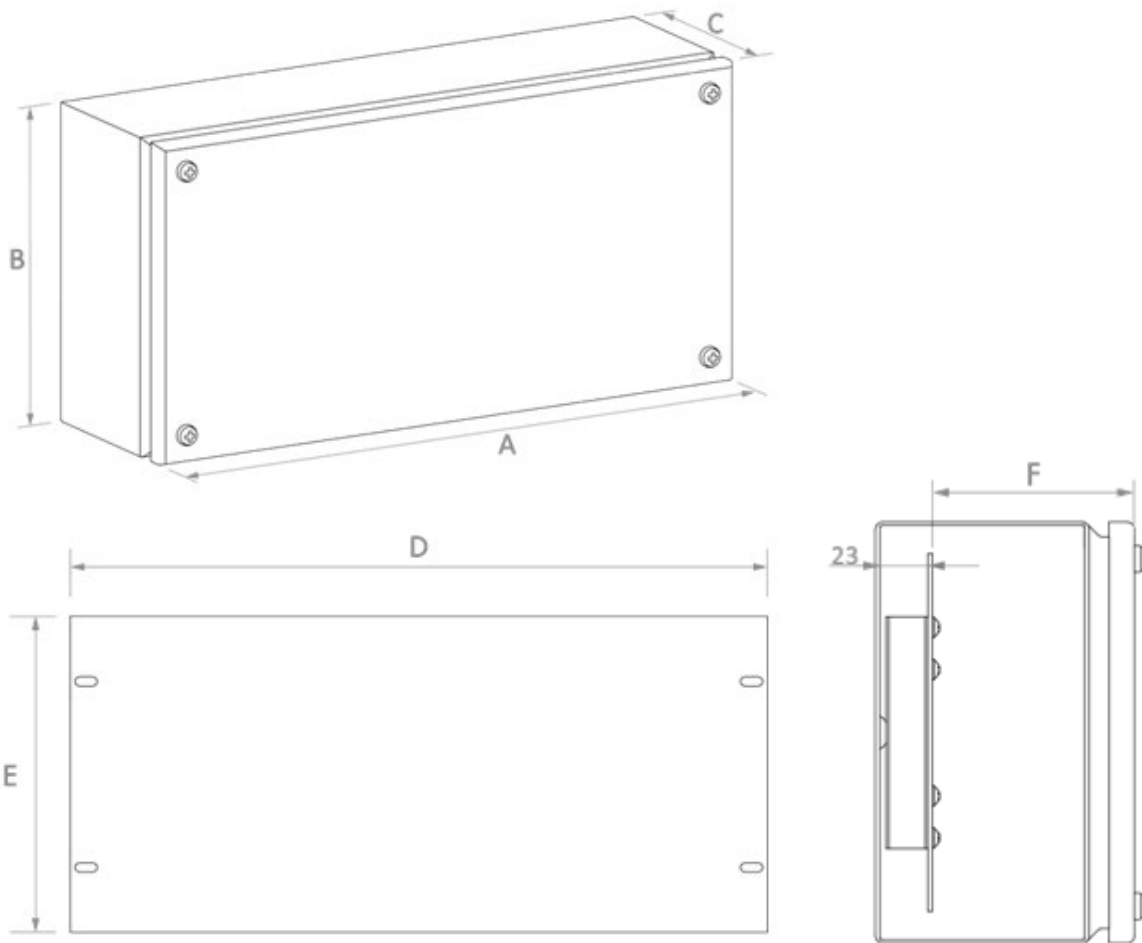
**Product image**



**Product dimensions**

Part No.:	Enclosure Dimensions			Mounting Plate		
	A	B	C	D	E	F
JBSS1108	150	150	80	125	120	57
JBSS2208	200	200	80	175	170	57
JBSS3208	300	200	80	275	170	57
JBSS1112	150	150	120	125	120	97
JBSS2212	200	200	120	175	170	97
JBSS3312	300	300	120	275	270	97
JBSS4212	400	200	120	375	170	97

Measurements are in mm



Subject to change without notice