

## Wall Mounting Brackets – Stainless Steel

Stainless steel wall mounting bracket kit for Moduline SSWM Series enclosures and JBSS Series junction boxes.

**Material:** 316L Stainless Steel EN 10088 1.4404

**Surface Finishing:** Scotch brite

**Thickness:** 2mm

**Pieces supplied:** 4 brackets per packet

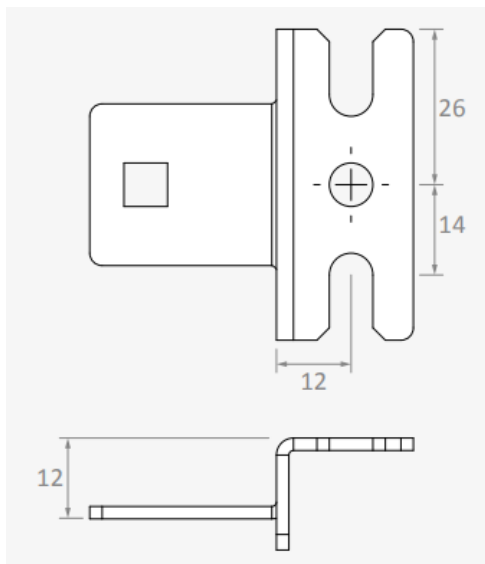
**Weight per packet:** 0.16kg

**Supplied with:** Wall mounting screws

### Product images



### Product dimensions and details



Part No.	Detail	Pieces
SSBWB	Stainless steel wall mounting bracket kit with mounting screws	4

Subject to change without notice