

Degson Terminals - DC Series

Specifications

Screw type Din-Rail TB

Current carrier: Copper

Screw/Cage: Steel

Housing: PA66 UL94 V-0

Connection type: Screw connection

Open-end side panels: Yes

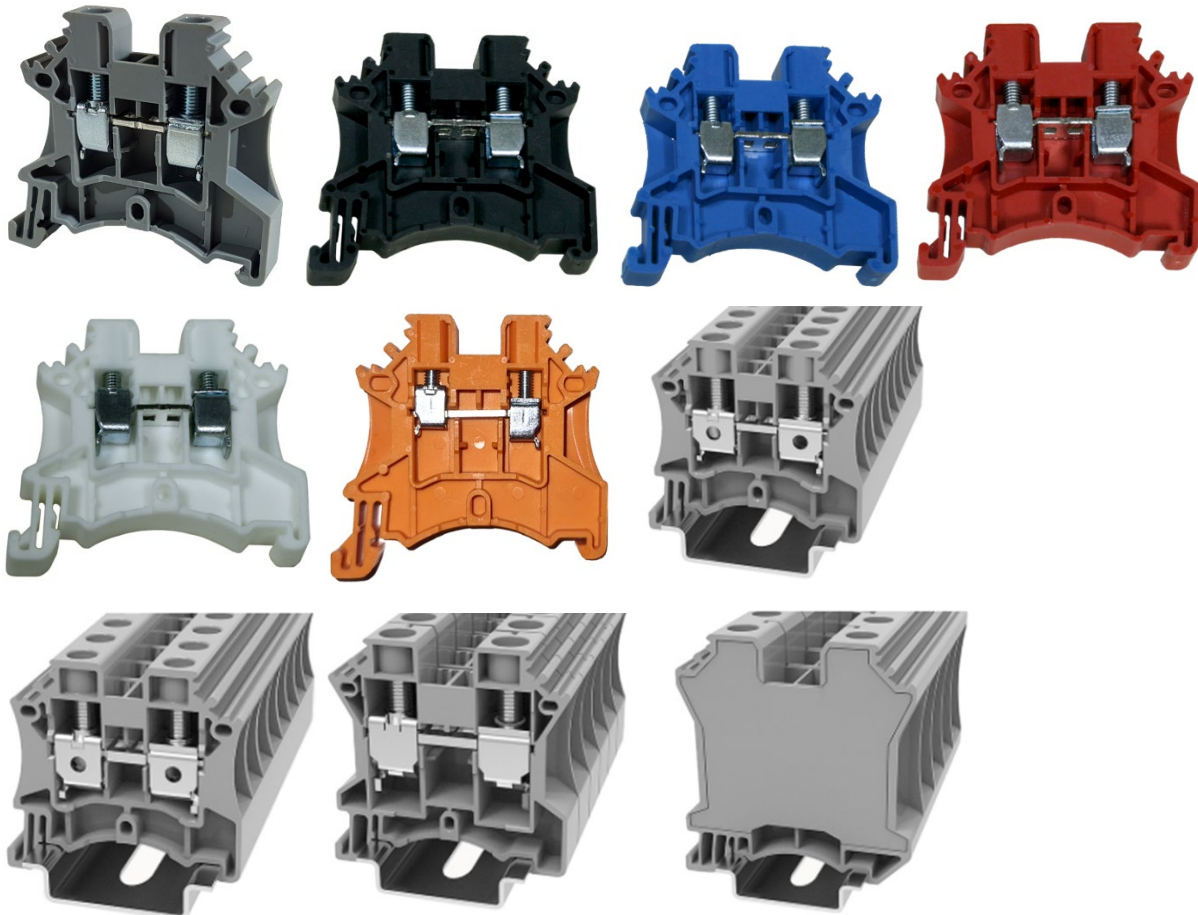
Number of connections: 2

Number of potentials: 1

Mounting type: NS 35/7.5, NS35/15

Manufacturer: Degson

Product images



Product advantages

- Screw connection technology, reliable connection
- Equipped with dual-channel bridge wells, circuit connection testing is more flexible
- Unique plug-in bridge, high circuit connection efficiency
- The box has a baffle to prevent mis-insertion
- Can be matched with terminal markers to avoid incorrect insertion of wires

Product Certifications



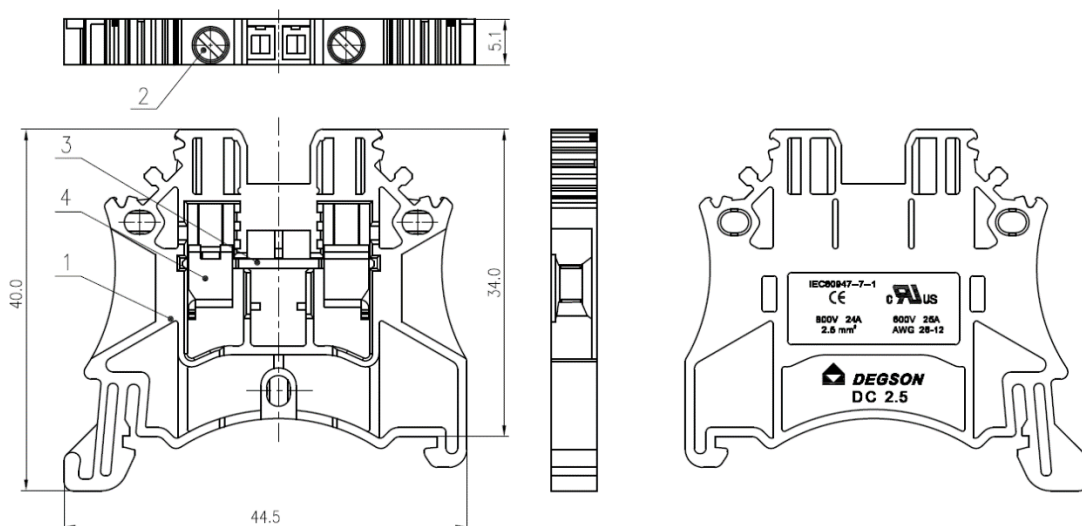
Product details

Part No.	Rated Current	Rated Voltage	Cross Section	AWG	H (mm)	W (mm)	Length (mm)	NS 35/15 Height	NS 35/7.5 Height
DC2.5	24A	800V	0.2mm ² - 2.5mm ²	26 - 12	40	5.1	44.5	49	41.5
DC4	32A	1000V	0.2mm ² - 4mm ²	22 - 10	40	6.1	40	49	41.5
DC6	41A	1000V	0.2mm ² - 6mm ²	22 - 8	42	8	44.95	51	43.5
DC10	57A	1000V	0.5mm ² - 10mm ²	20 - 6	42	10	44.95	51	43.5
DC16	76A	1000V	1.5mm ² - 25mm ²	14 - 10	49.4	12	50.25	58.4	50.9
DC35	125A	1000V	2.5mm ² - 50mm ²	14 - 10	59.9	16	55.4	68.8	61.3

Product Dimensions

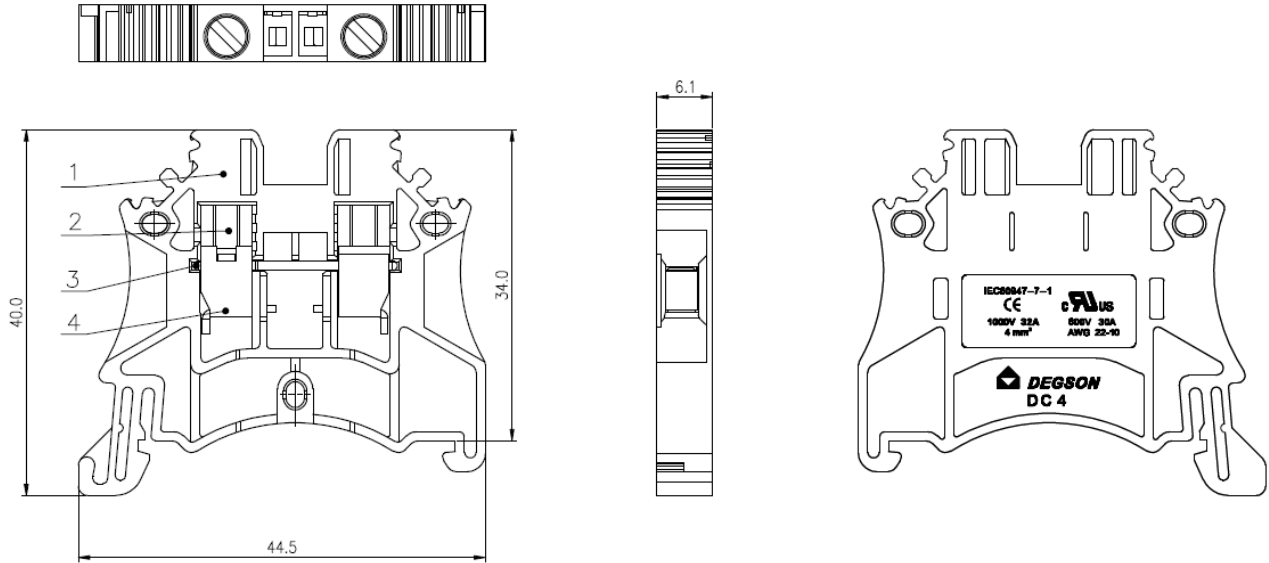
DC2.5

Available in Grey, Black, Blue, Red and White.



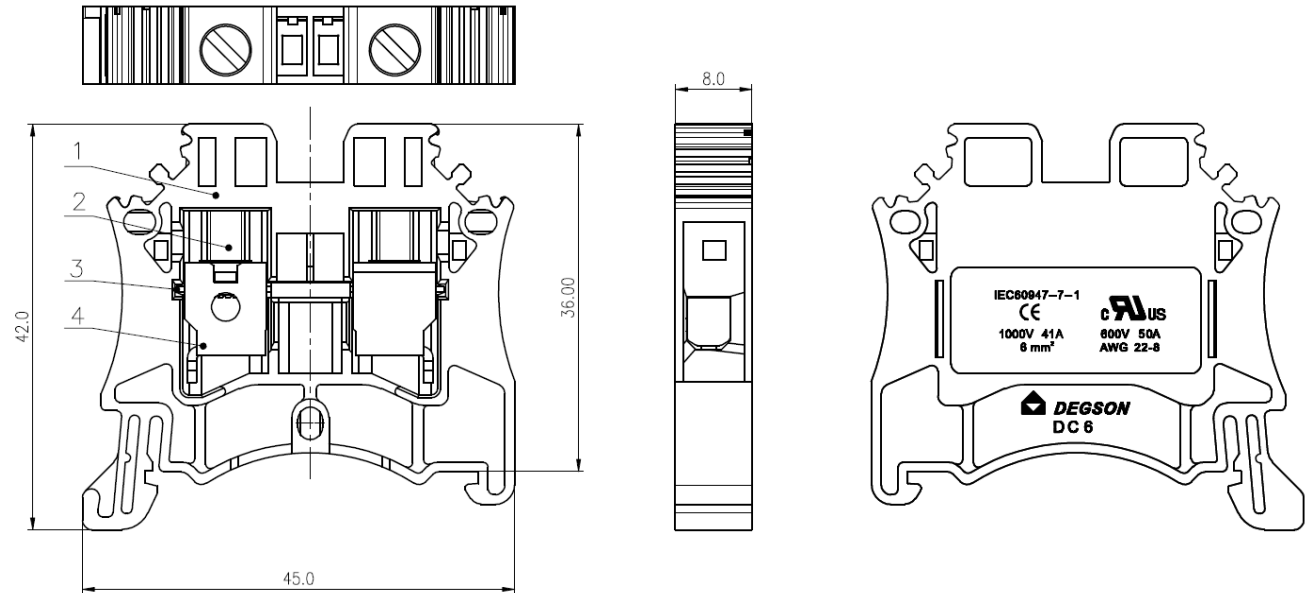
DC4

Available in Grey, Black, Blue, Red White and Orange



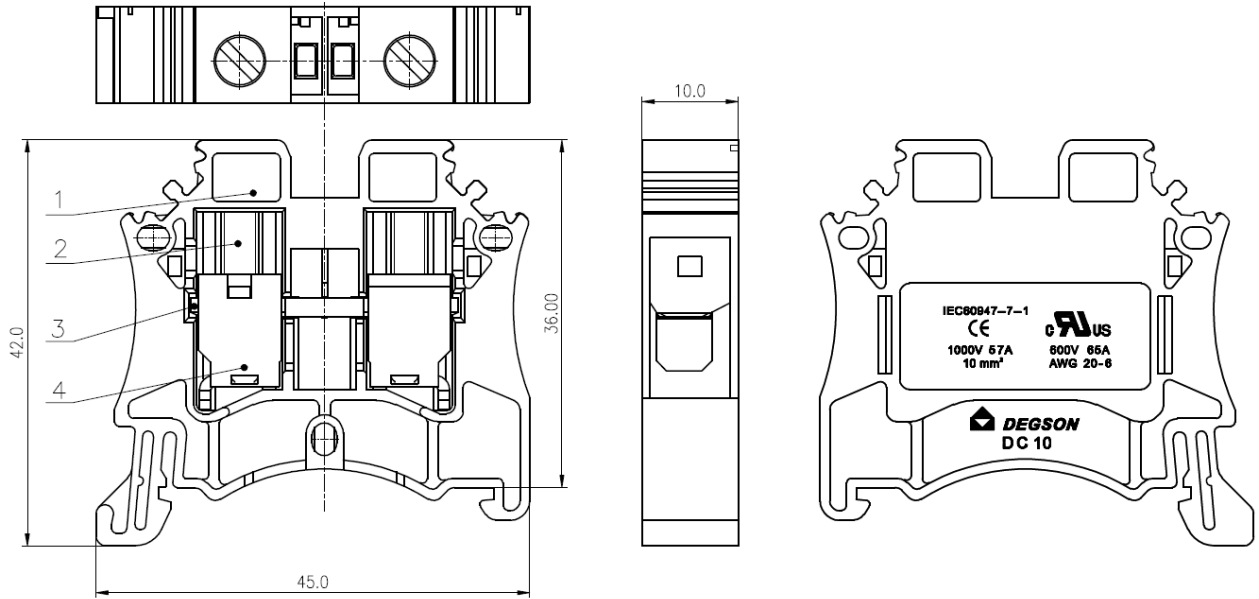
DC6

Available in Grey



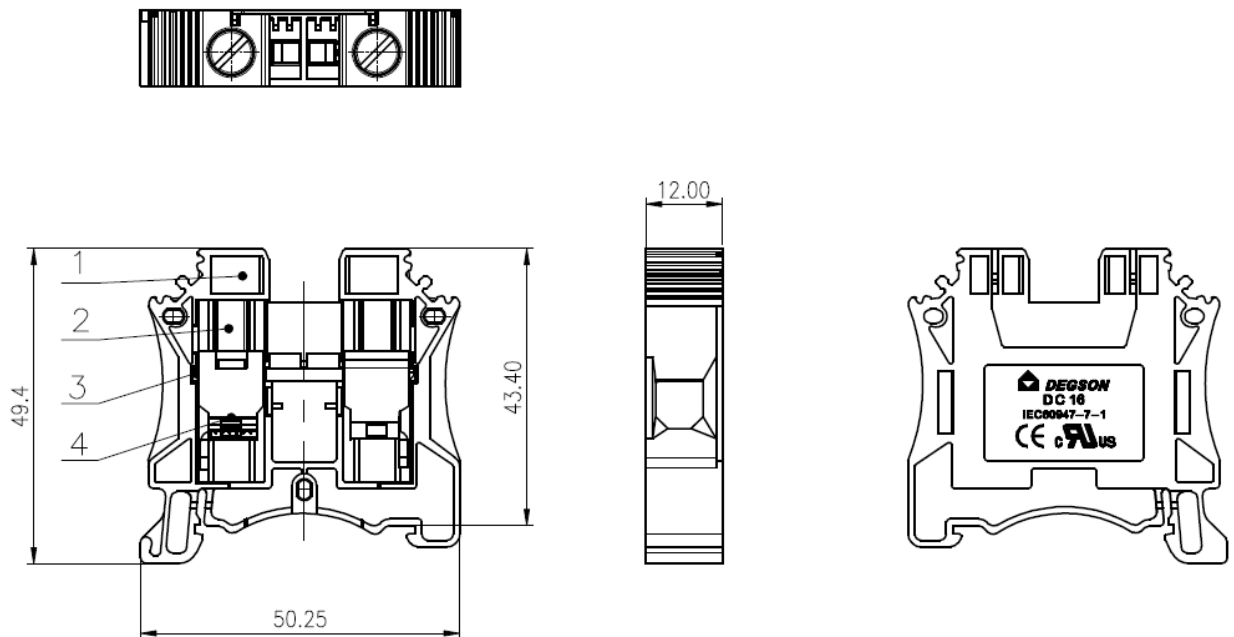
DC10

Available in Grey



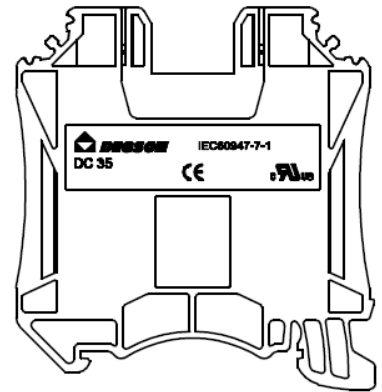
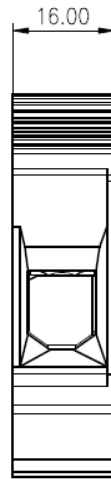
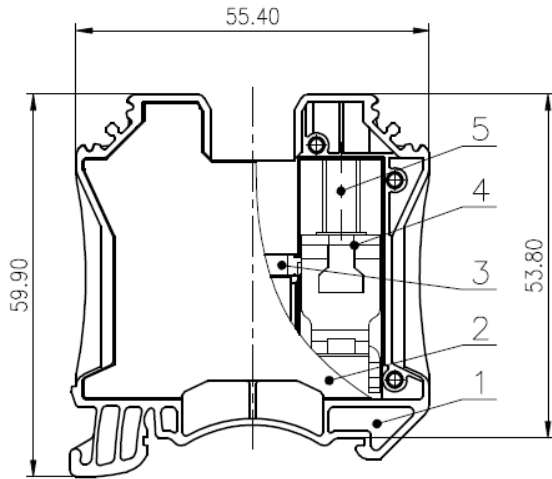
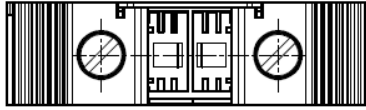
DC16

Available in Grey



DC35

Available in Grey



Subject to change without notice