

## Degson Earth Terminals – DC Series

### Specifications

Screw type Din-Rail TB

Grounding: Copper alloy

Current carrier: Copper

Screw/Cage: Steel

Housing: PA66 UL94 V-0

Connection type: Screw connection

Open-end side panels: Yes

Number of connections: 2

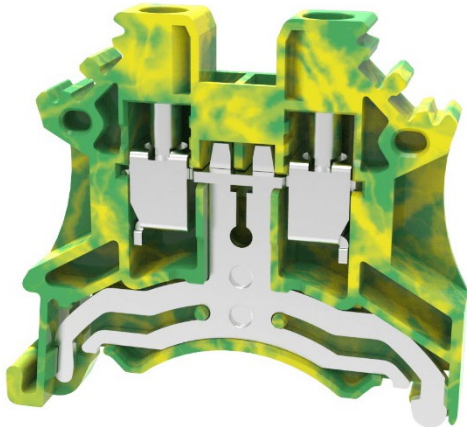
Number of potentials: 1

Colour: Green-Yellow

Mounting type: NS 35/7.5, NS35/15

Manufacturer: Degson

### Product images



### Product advantages

- Screw connection technology, reliable connection
- Grounding structure, protection circuit
- The box has a baffle to prevent mis-insertion
- Can be matched with terminal markers to avoid incorrect insertion of wires

**Product Certifications**

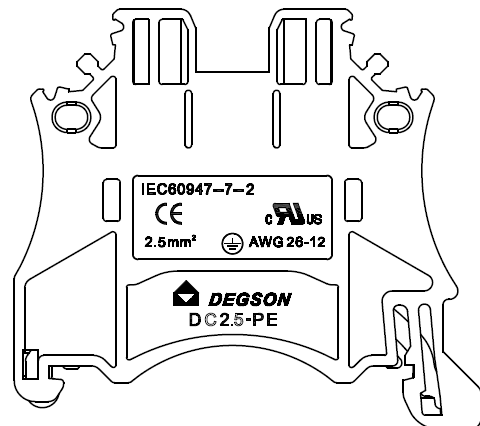
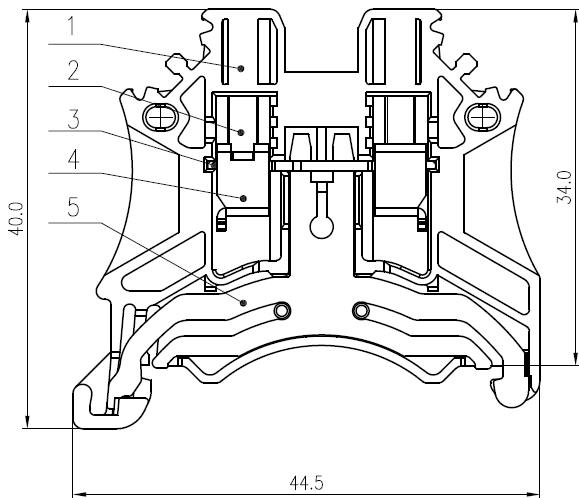


**Product details**

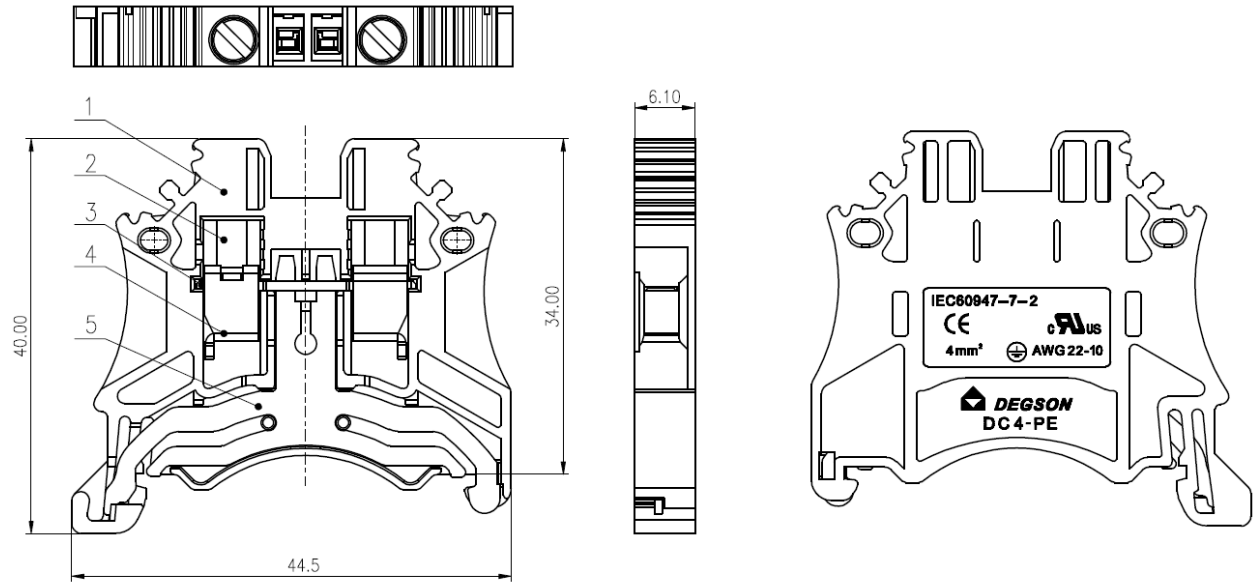
Part No.	Cross Section	AWG	H (mm)	W (mm)	Length (mm)	NS 35/15 Height	NS 35/7.5 Height
DC2.5-PE	0.2mm <sup>2</sup> - 2.5mm <sup>2</sup>	26 - 12	40	5.1	44.5	49	41.5
DC4-PE	0.2mm <sup>2</sup> - 4mm <sup>2</sup>	22 - 10	40	6.1	44.5	49	41.5
DC6-PE	0.5mm <sup>2</sup> - 6mm <sup>2</sup>	22 - 8	42	8	45	51	43.5
DC10-PE	0.5mm <sup>2</sup> - 10mm <sup>2</sup>	20 - 6	42	10	44.95	51	43.5
DC16-PE	1.5mm <sup>2</sup> - 25mm <sup>2</sup>	14 - 3	49.4	12	50.25	58.4	50.9
DC35-PE	2.5mm <sup>2</sup> - 50mm <sup>2</sup>	14 - 2	60.8	16	55.4	68.8	61.3

**Product Dimensions**

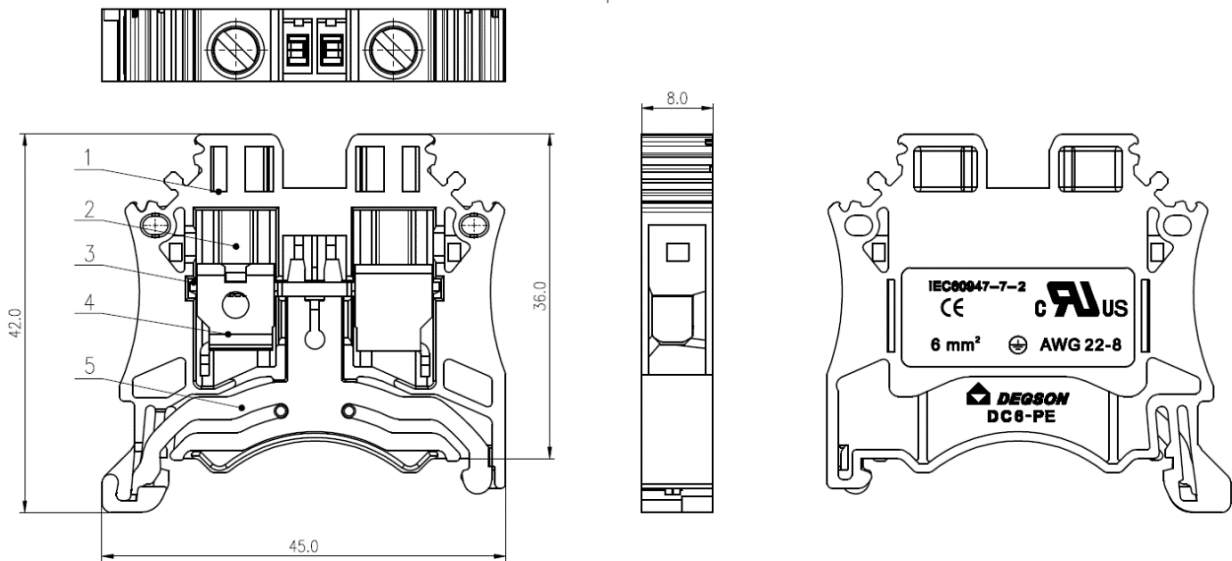
**DC2.5-PE**



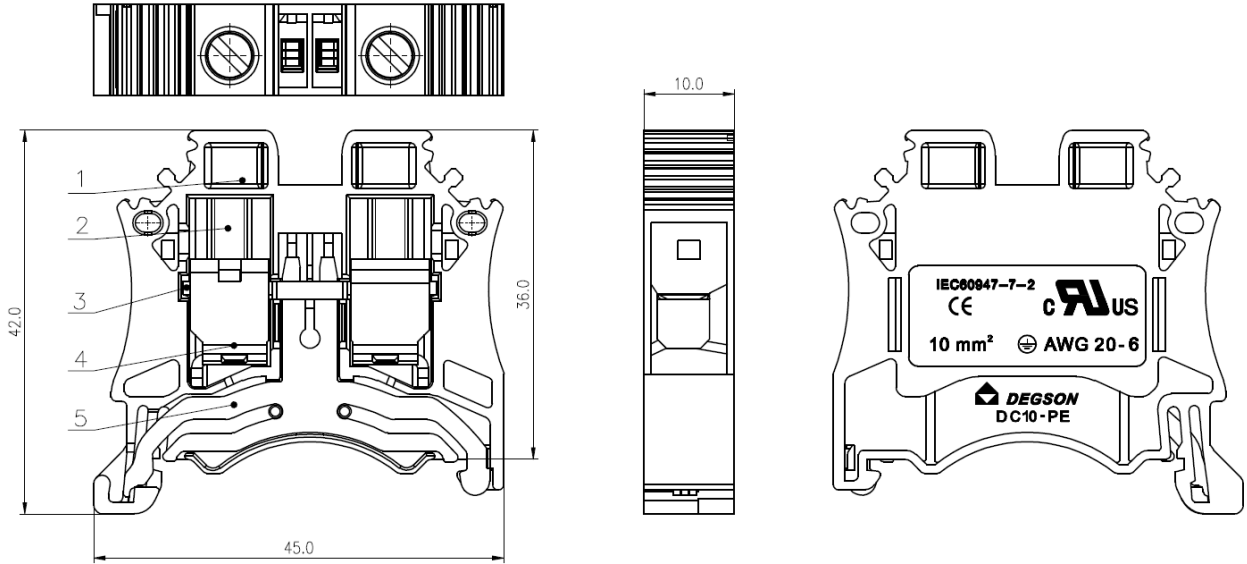
### DC4-PE



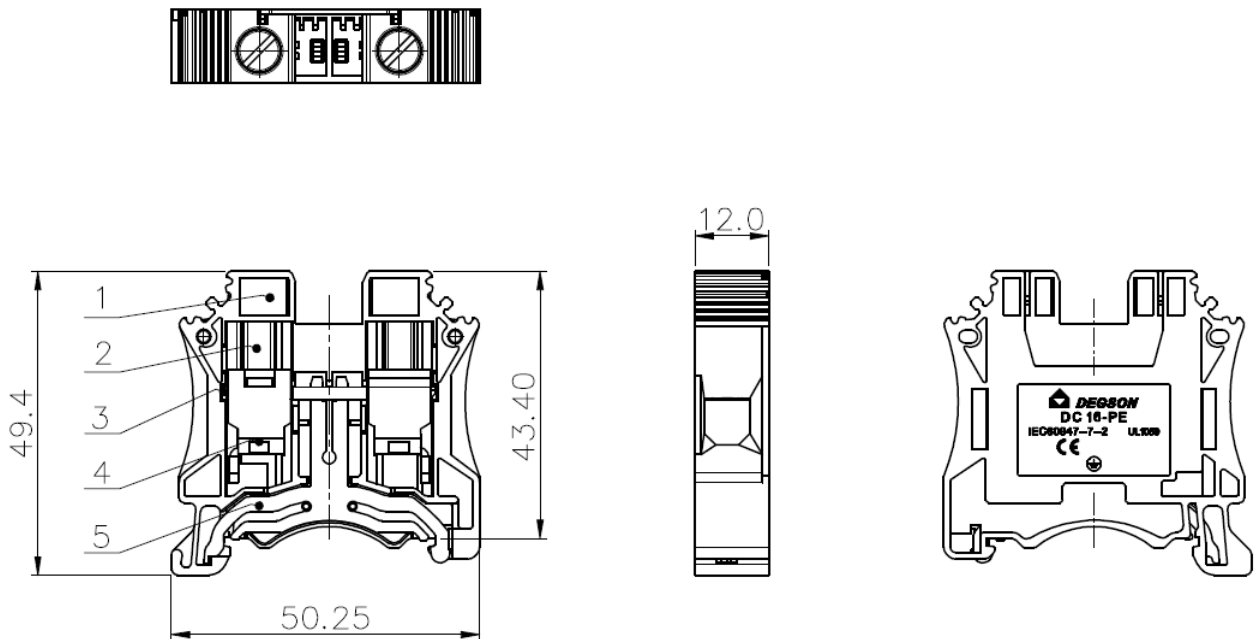
### DC6-PE



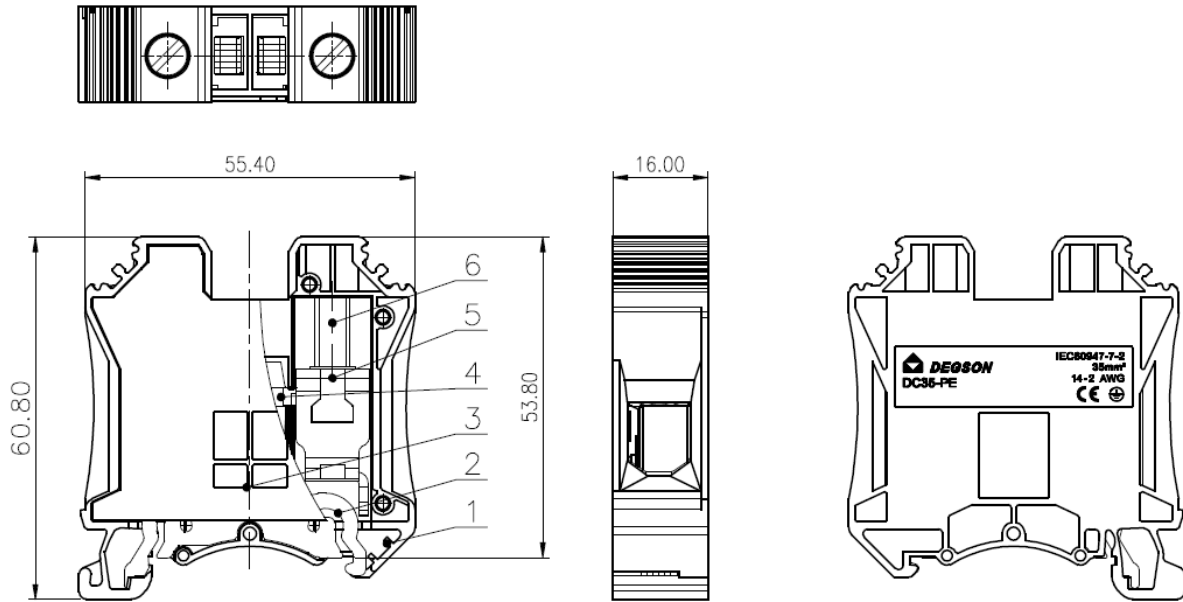
### DC10-PE



### DC16-PE



DC35-PE



Subject to change without notice