

Degson Link Bars - DC Series

Specifications

Plug-in bridge

Colour: Grey

Conductor material: Copper

Number of potentials: 2

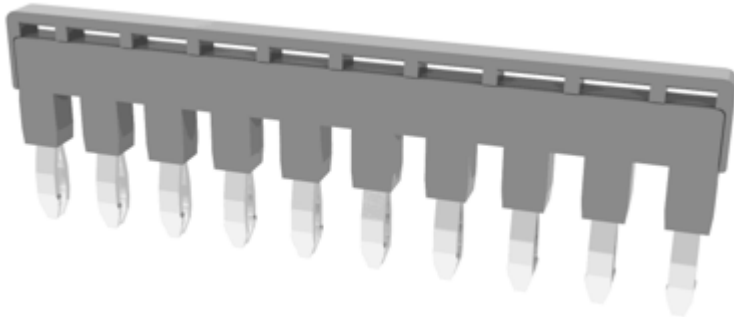
Operating temperature: -40°C – 105°C

Manufacturer: Degson

Product advantages

- Plug-in bridge
- Flexible circuit connection can be realised

Product Image

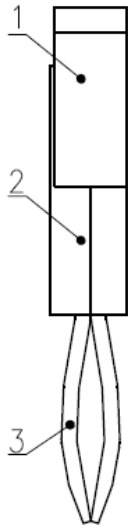


Product details

Part No.	Size (mm ²)	Ways	Pitch (mm)
DFA2.5-10	2.5	10	5.1
DFA4-10	4	10	6.1
DFA6-10	6	10	8.0
DFA10-10	10	10	10.0
DFA2.5-5	2.5	5	5.1
DFA2.5-4	2.5	4	5.1
DFA16-3	16	3	12.0
DFA35-3	35	3	16.0
DFA2.5-2	2.5	2	5.1

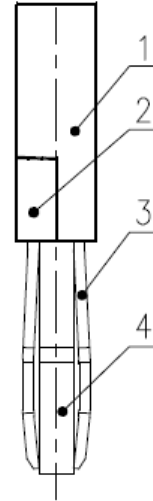
Product Materials

2.5mm - 10.0mm



3	Bridgeware	Copper	Sn Plated
2	Cover	PA66	UL94V-0
1	Housing	PA66	UL94V-0

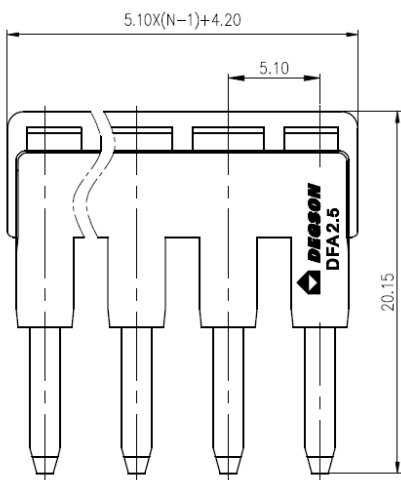
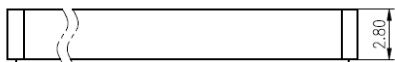
16.0mm & 35.0mm



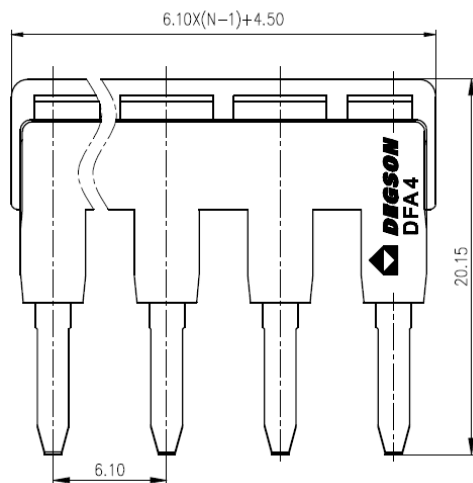
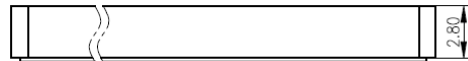
4	Bridgeware 2	Copper	Sn Plated
3	Bridgeware 1	Copper	Sn Plated
2	Cover	PA66	UL94V-0
1	Housing	PA66	UL94V-0

Product Dimensions

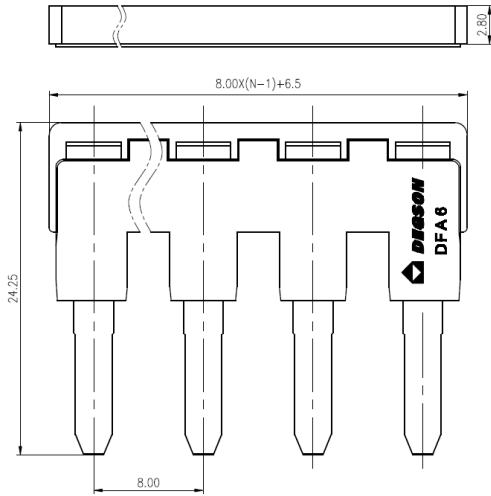
DFA2.5 Series



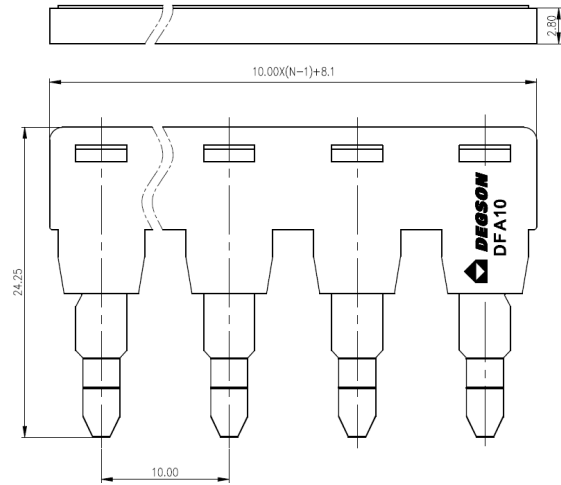
DFA4 Series



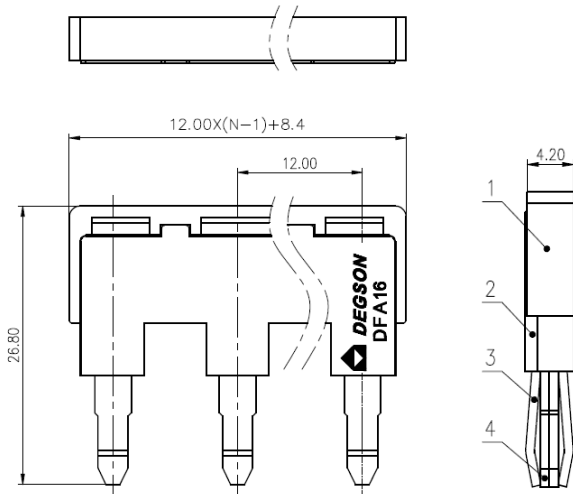
DFA6 Series



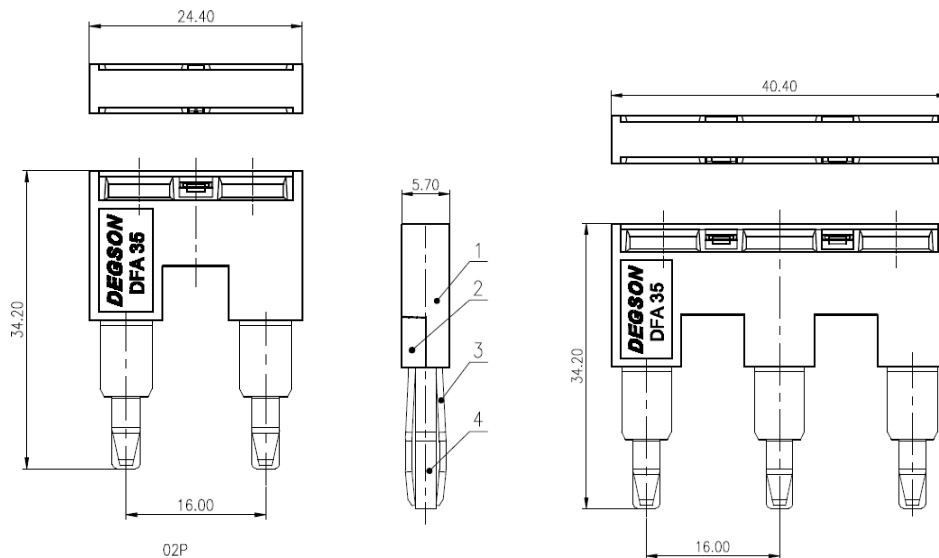
DFA10 Series



DFA16 Series



DFA35 Series



Subject to change without notice