

Degson Terminals – DS Series

Specifications

Push-in Din-Rail TB

Current carrier: Copper

Spring: Stainless steel

Button: PA66-GF UL94V-0

Housing: PA66 UL94V-0

Connection type: Push-in connection

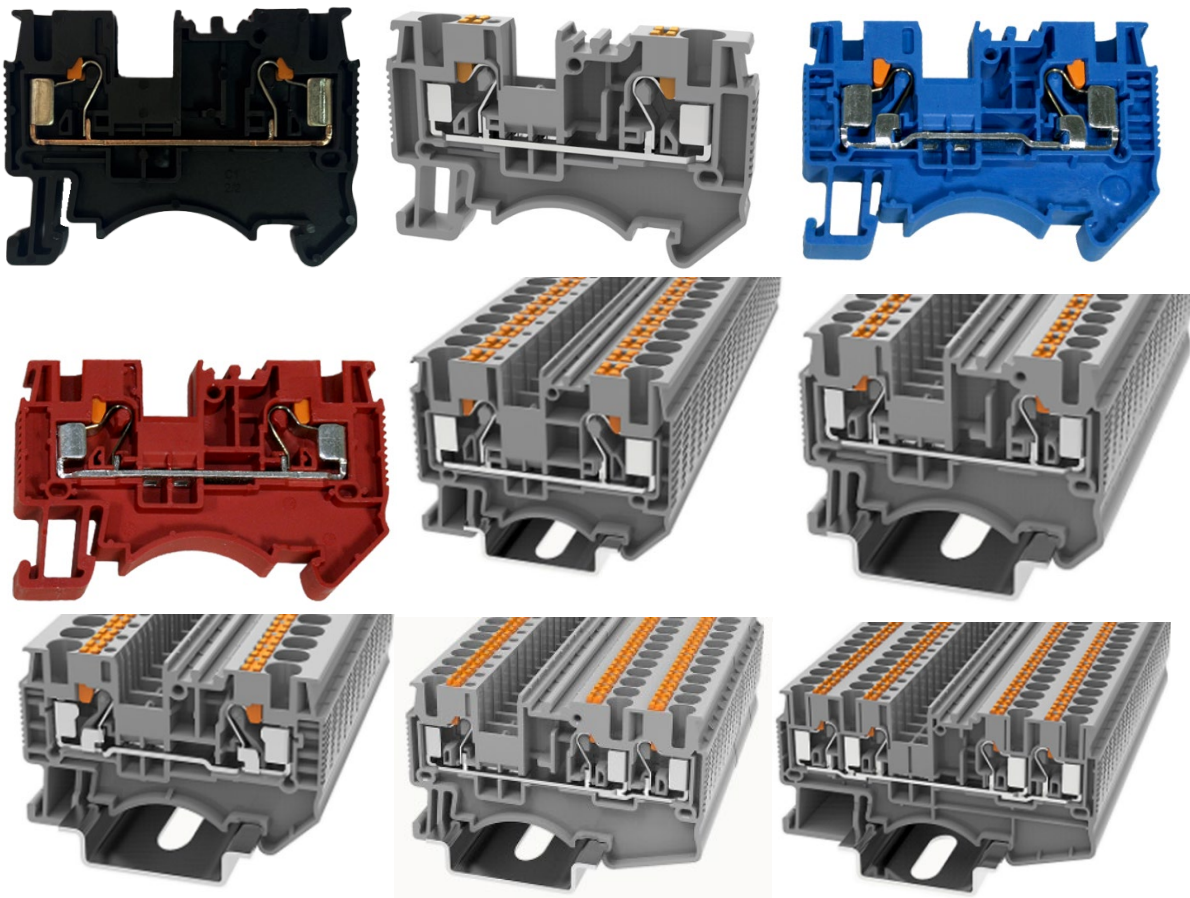
Open-end side panels: Yes

Number of potentials: 1

Mounting type: NS 35/7.5, NS35/15

Manufacturer: Degson

Product Images



Product Advantages

- Push-in connection technology, tool-free operation, more convenient and faster
- With orange wire button, screwdriver can release wire easily
- Equipped with dual-channel bridge wells, circuit connection testing is more flexible
- Unique plug-in bridge, high circuit connection efficiency
- Can be matched with terminal markers to avoid incorrect insertion of wires
- Equipped with test holes for easy circuit testing

Product Certifications



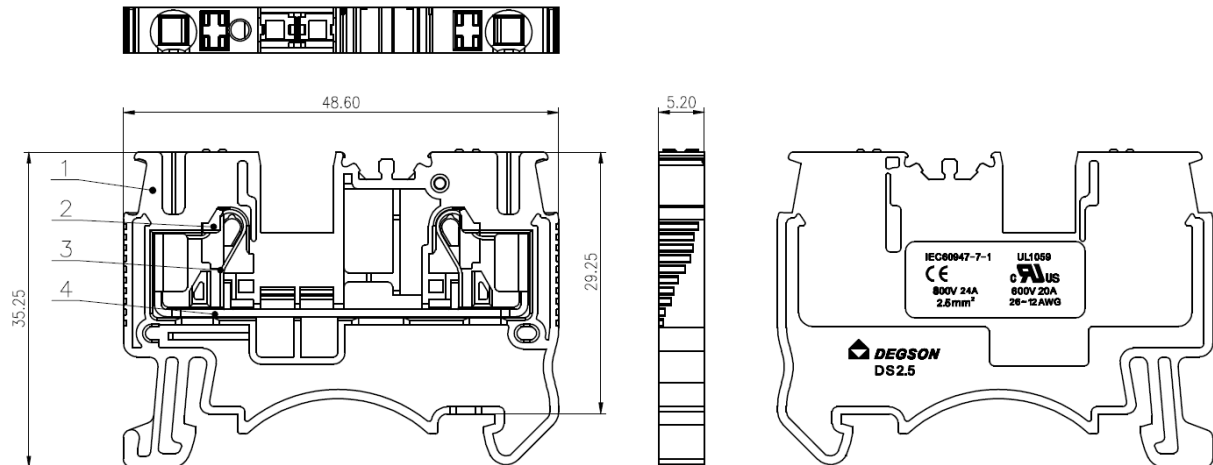
Product Details

Part No.	Rated Voltage	Rated Current	Way	Rated Current	Cross Section	H (mm)	W (mm)	Length (mm)
DS 2.5	800V	24A	2	24A	0.2mm ² - 4mm ²	35.25	5.2	48.6
DS 4	800V	32A	2	32A	0.2mm ² - 6mm ²	35.3	6.2	55.6
DS 6	1000V	41A	2	41A	0.5mm ² - 10mm ²	42	8.2	58
DS 10	1000V	57A	2	57A	0.5mm ² - 16mm ²	49.8	10.2	67.7
DS 2.5-TW	800V	24A	3	24A	0.2mm ² - 4mm ²	35.25	5.2	60.5
DS 2.5-QU	800V	24A	4	24A	0.2mm ² - 4mm ²	35.25	5.2	71.2

Product Dimensions

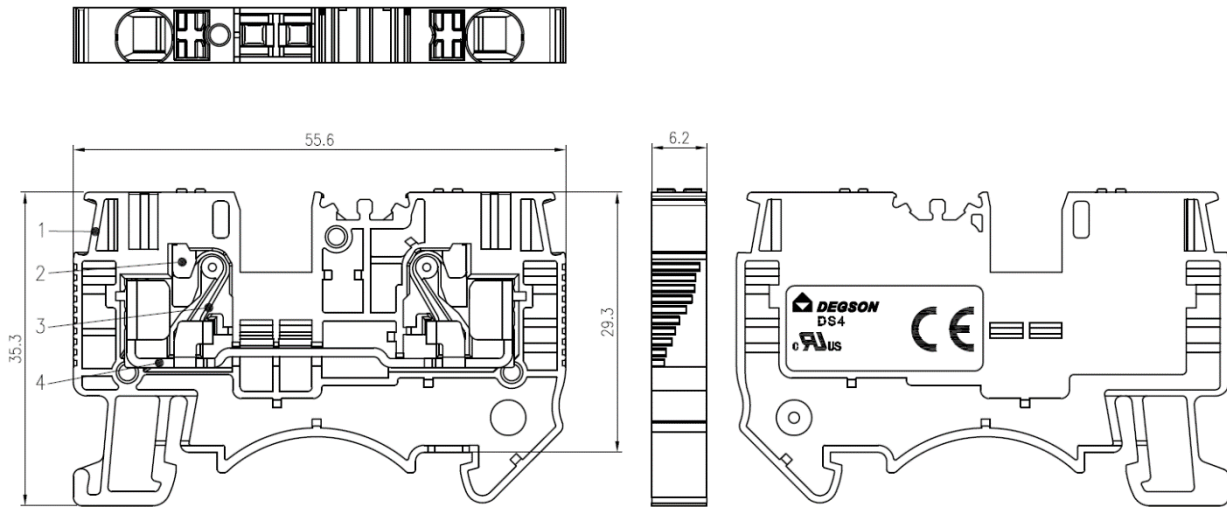
DS 2.5

Available in Grey, Black, Blue, Red



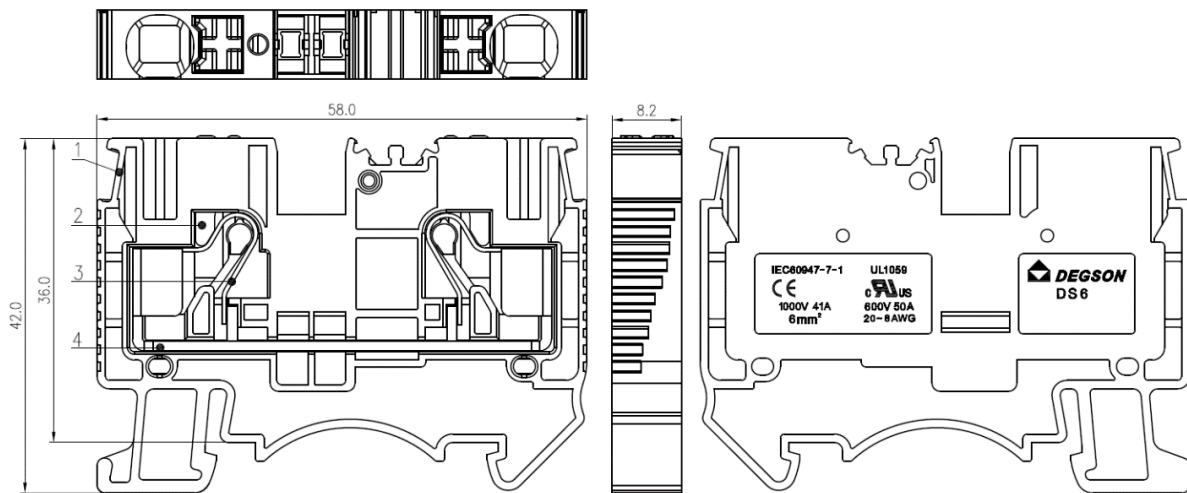
DS 4

Available in Grey, Blue and Red



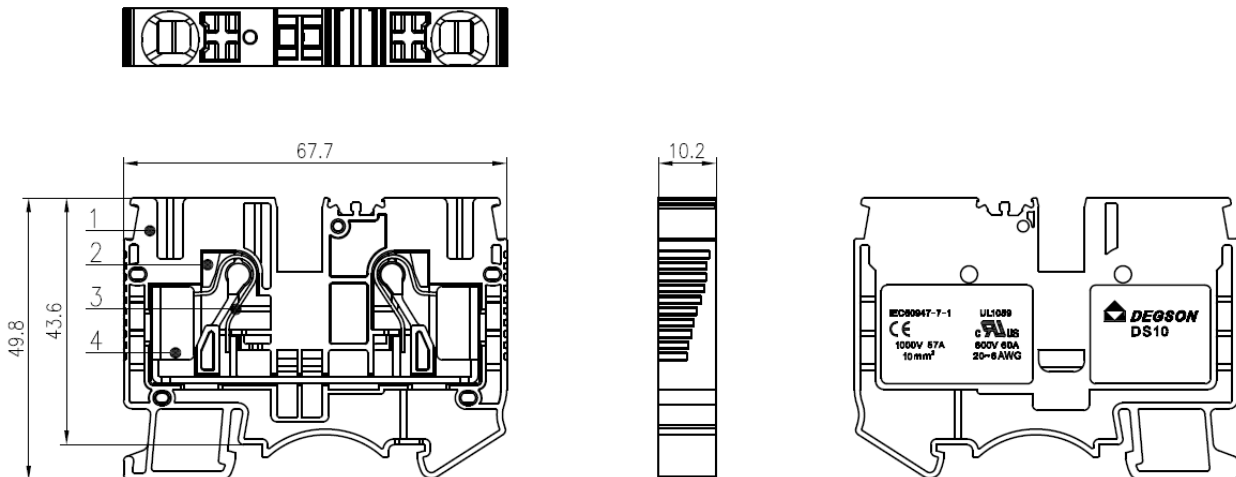
DS 6

Available in Grey



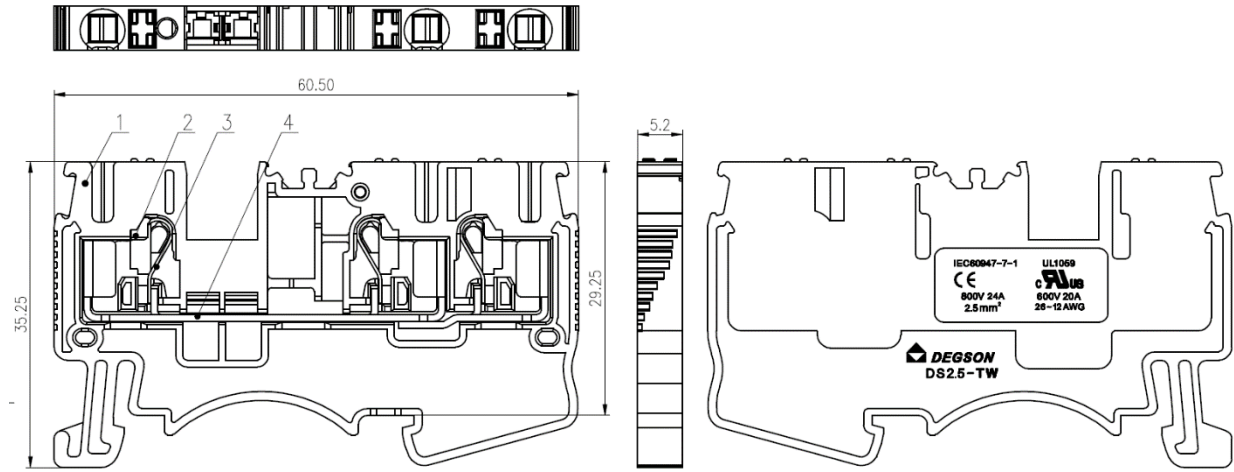
DS 10

Available in Grey



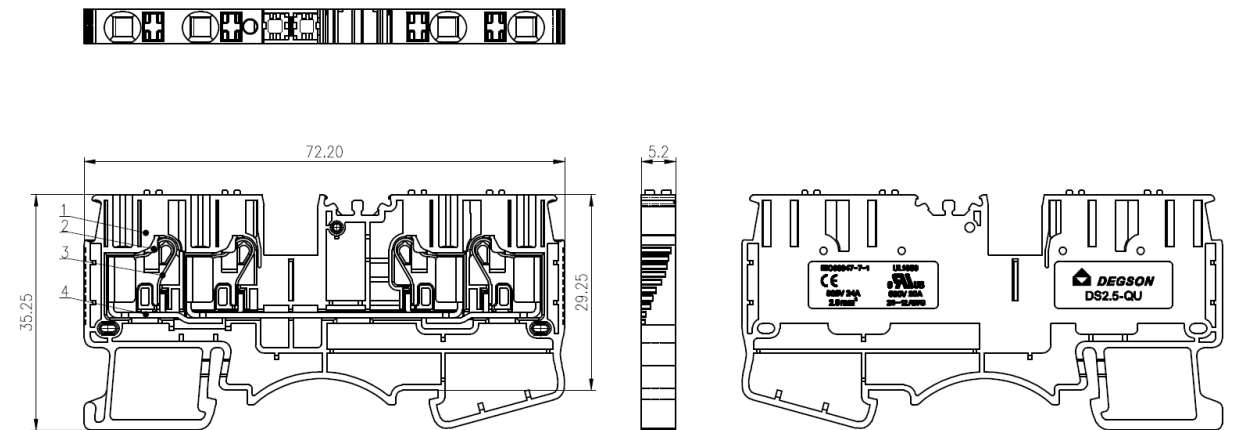
DS 2.5-TW

Available in Grey



DS 2.5-QU

Available in Grey



Subject to change without notice