

## Degson Earth Terminals – DS Series

### Specifications

Push-in Din-Rail TB

Current carrier: Copper

Grounding: Copper alloy

Spring: Stainless steel

Button: PA66-GF UL94V-0

Housing: PA66 UL94V-0

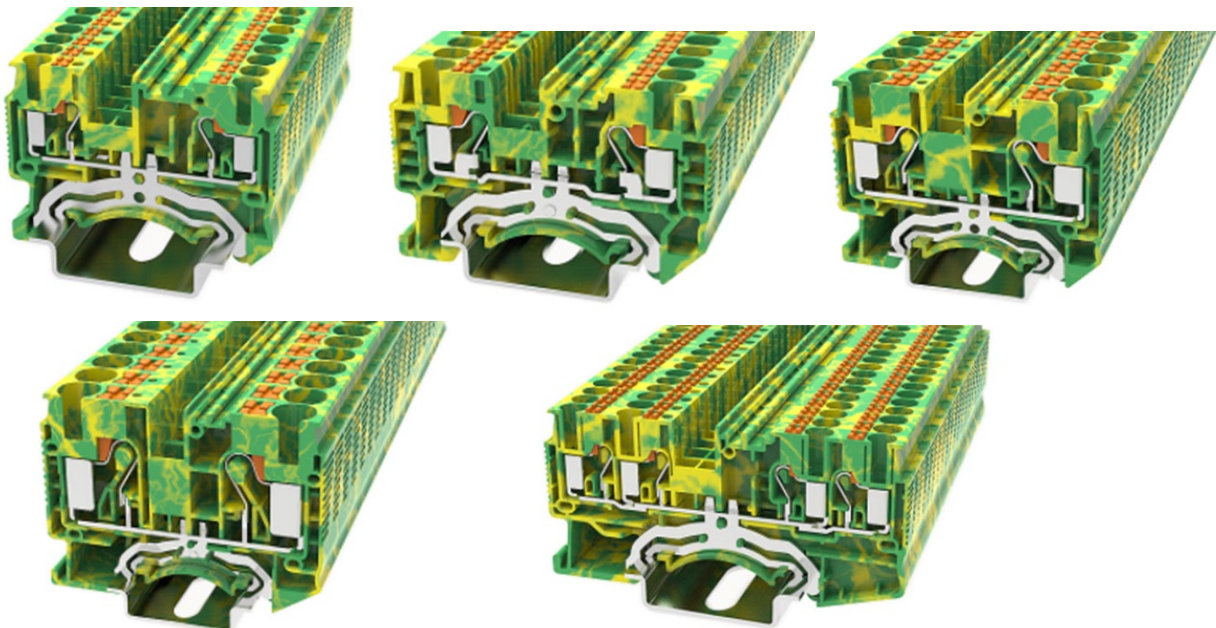
Connection type: Push-in connection

Colour: Green-Yellow

Mounting type: NS 35/7.5, NS35/15

Manufacturer: Degson

### Product Images



### Product Advantages

- Push-in connection technology, tool-free operation, more convenient and faster
- With orange wire button, screwdriver can release wire easily
- Can be matched with terminal markers to avoid incorrect insertion of wires
- Equipped with test holes for easy circuit testing

### Product Certifications

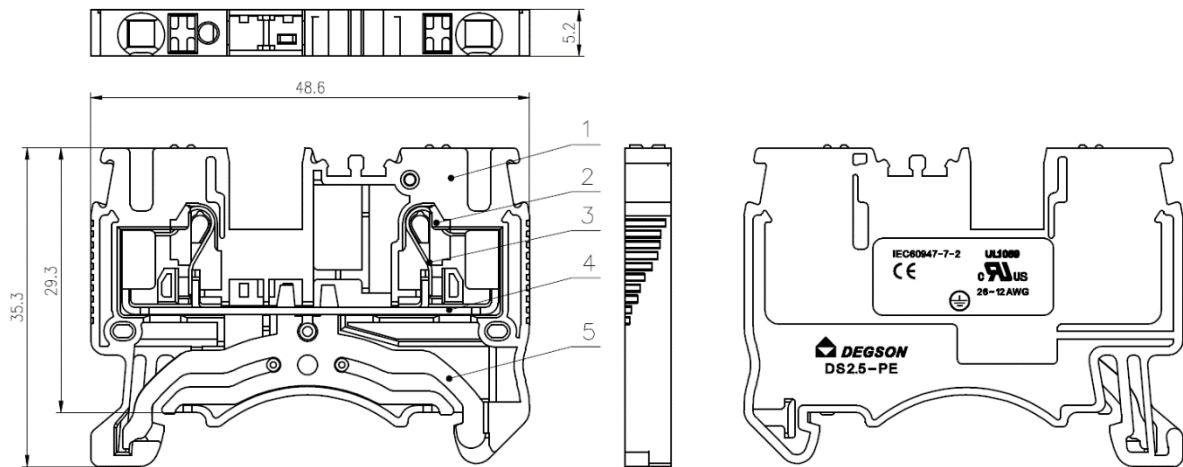


**Product Details**

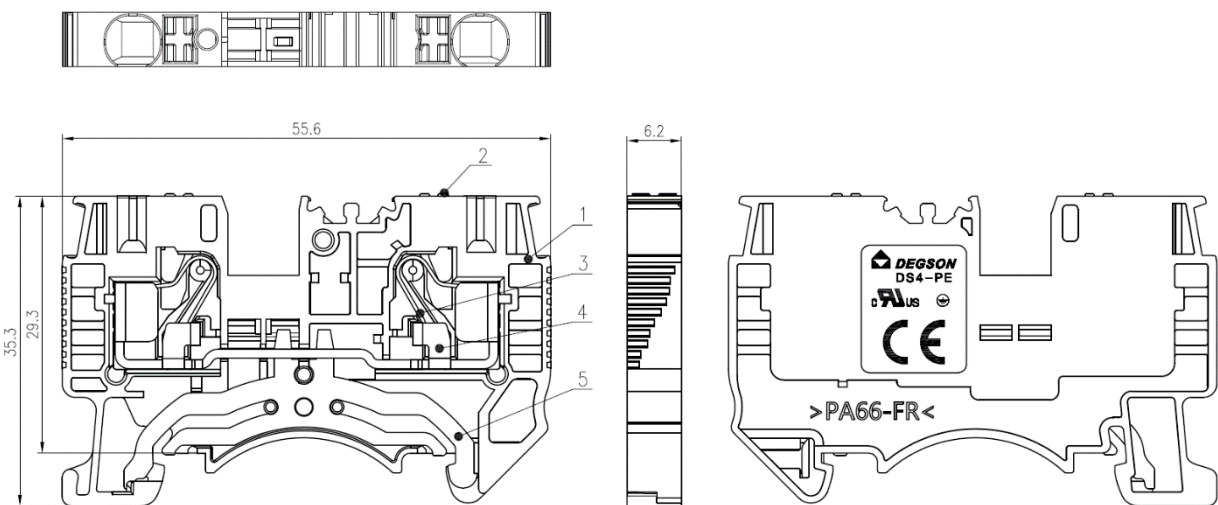
Part No.	Way	Cross Section	AWG	H (mm)	W (mm)	Length (mm)
DS2.5-PE	2	0.2mm <sup>2</sup> - 4mm <sup>2</sup>	26 - 12	35.25	5.2	48.6
DS4-PE	2	0.2mm <sup>2</sup> - 6mm <sup>2</sup>	24 - 10	35.3	6.2	55.6
DS6-PE	2	0.5mm <sup>2</sup> - 10mm <sup>2</sup>	20 - 8	42	8.2	58
DS10-PE	2	0.5mm <sup>2</sup> - 16mm <sup>2</sup>	20 - 6	49.8	10.2	67.7
DS2.5-QU-PE	4	0.2mm <sup>2</sup> - 4mm <sup>2</sup>	26 - 12	35.25	5.2	72.2

**Product Dimensions**

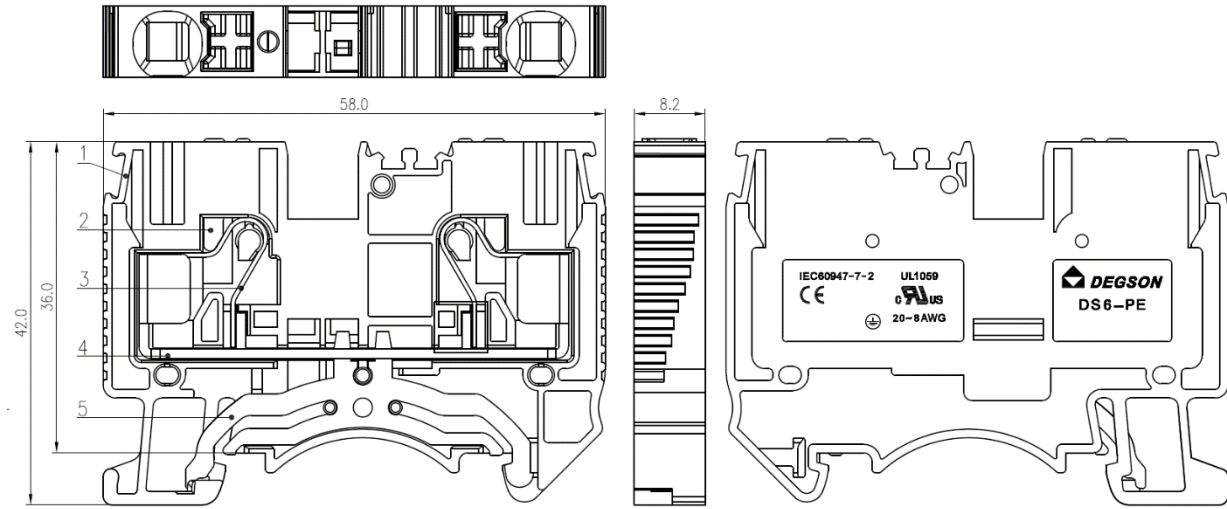
**DS2.5-PE**



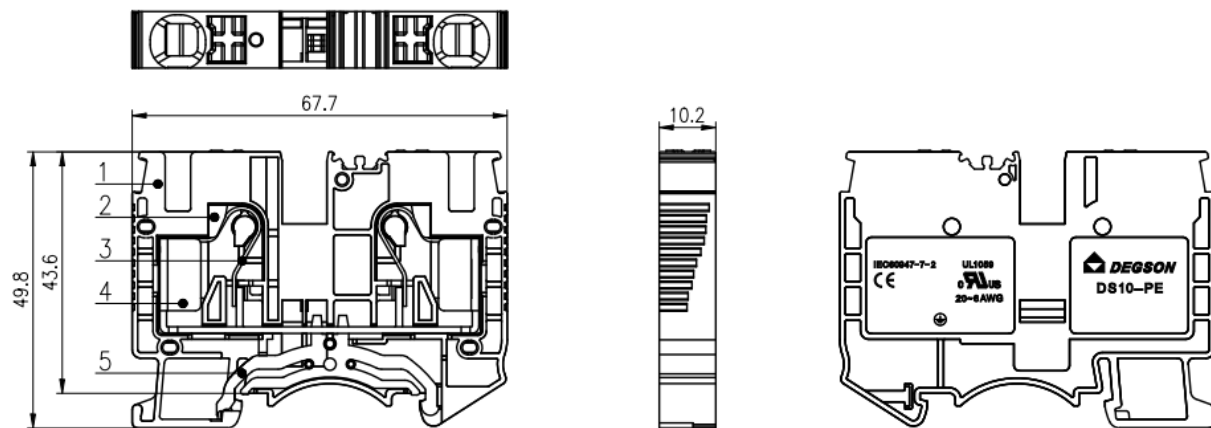
**DS4-PE**



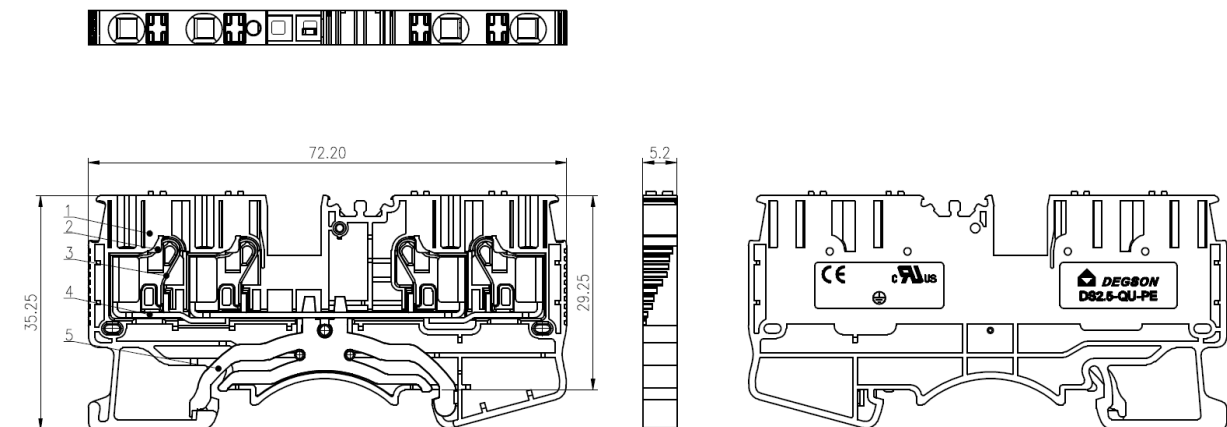
### DS6-PE



### DS10-PE



### DS2.5-QU-PE



Subject to change without notice