

Degson Link Bars - DS Series

Specifications

Plug-in bridge

Colour: Grey

Conductor material: Copper

Housing/Cover material: PA66 UL94V-0

Operating temperature: -40°C – 105°C

Manufacturer: Degson

Product advantages

- Plug-in bridge
- Flexible circuit connection can be realised

Product Image

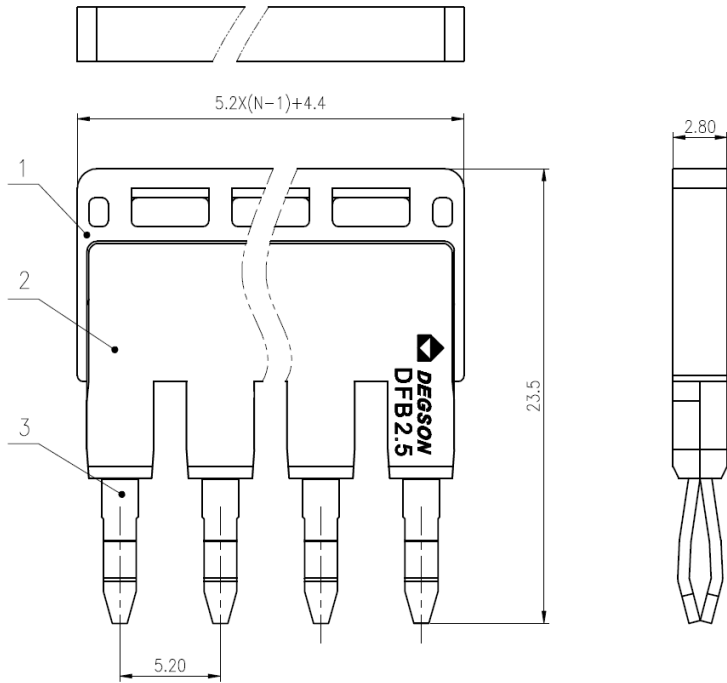


Product details

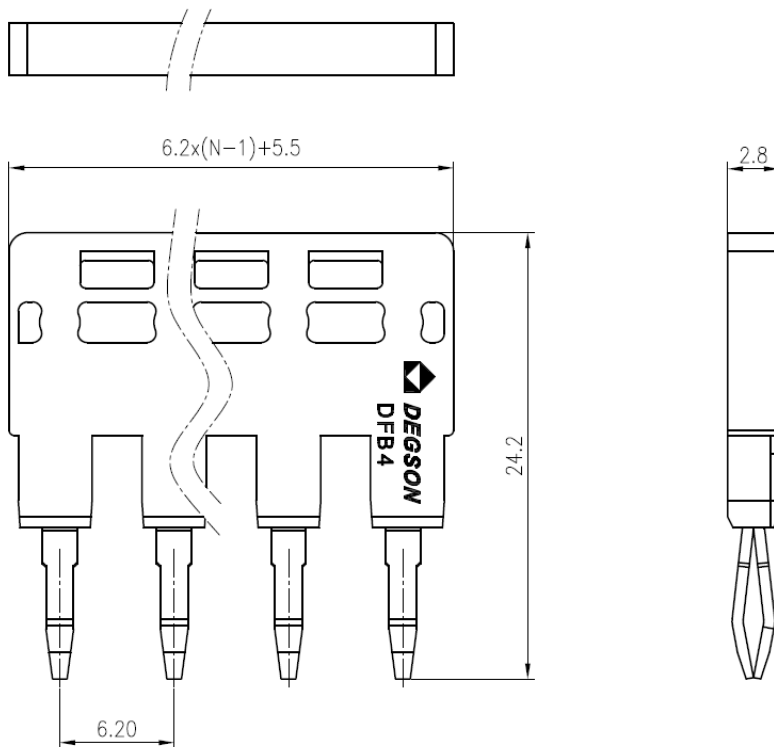
Part No.	Size (mm ²)	Ways	Pitch (mm)	Nominal Current
DFB2.5-10	2.5	10	5.2	24A
DFB4-10	4	10	6.2	32A
DFB6-10	6	10	8.2	41A
DFB10-10	10	10	10.2	57A
DFB2.5-5	2.5	5	5.2	24A
DFB2.5-4	2.5	4	5.2	24A
DFB2.5-2	2.5	2	5.2	24A

Product Dimensions

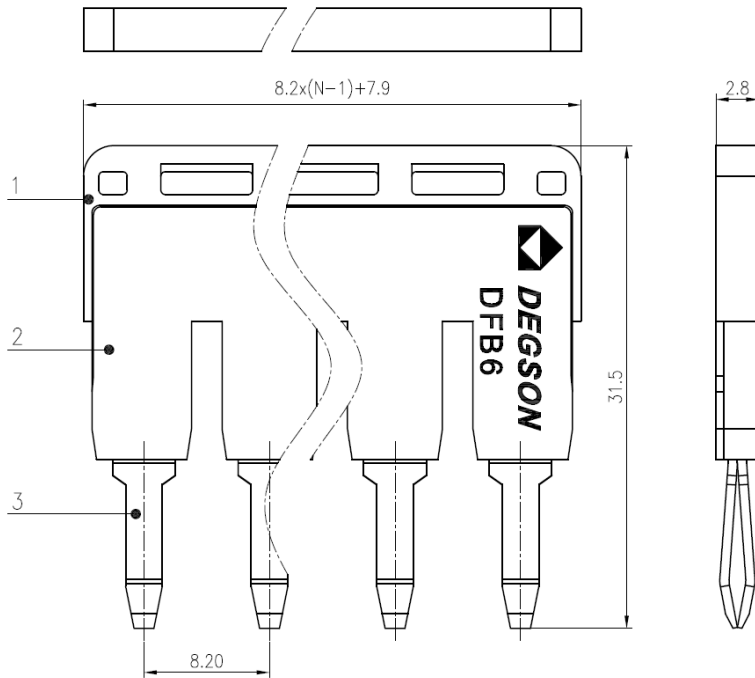
DFB2.5 Series



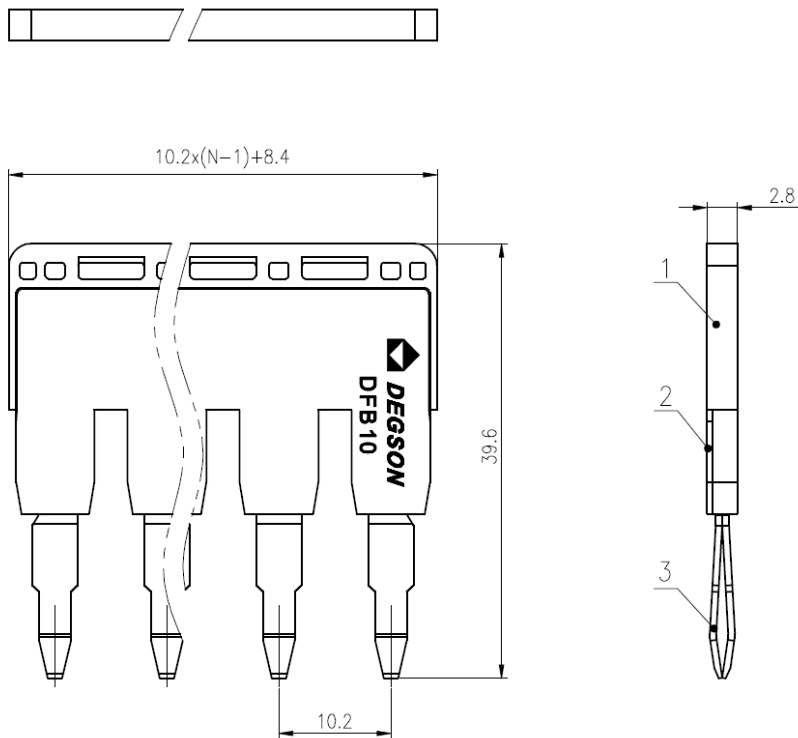
DFB4 Series



DFB6 Series



DFB10 Series



Subject to change without notice