

Degson Terminals - PC Series

Specifications

Screw type Din-Rail TB

Current carrier: Copper

Screw/Cage: Copper Alloy

Housing: PA66 UL94V-0

Connection type: Screw connection

Open-end side panels: Yes

Number of connections: 2

Number of potentials: 1

Mounting type: NS 35/7.5, NS35/15

Manufacturer: Degson

Product Images



Product Advantages

- Screw connection technology, reliable connection
- Equipped with fixed parts and bridge parts, circuit connection test is more flexible
- Copper alloy material, good corrosion resistance
- Can be matched with terminal markers to avoid incorrect insertion of wires

Product Certifications



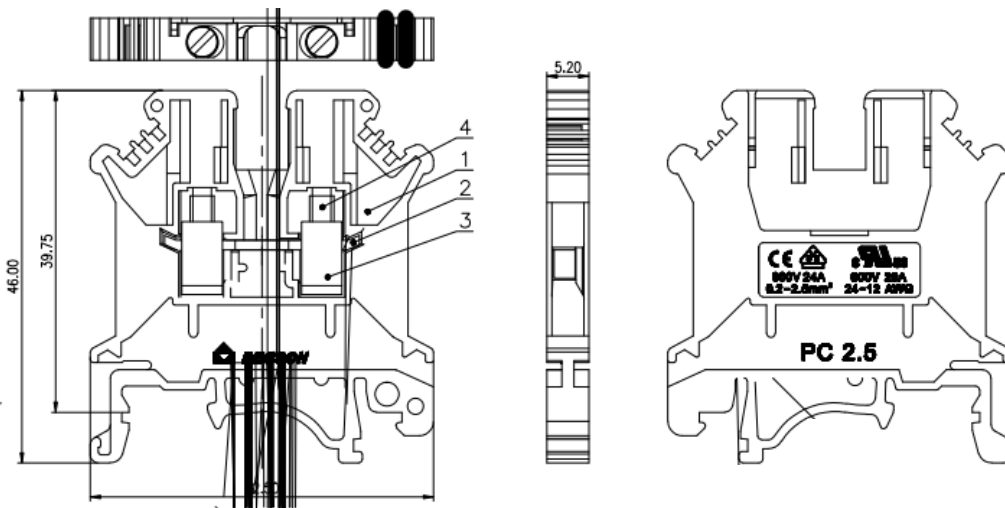
Product Details

Part No.	Rated Voltage	Rated Current	Cross Section	AWG	H (mm)	W (mm)	Length (mm)	NS 35/15 Height	NS 35/7.5 Height
PC 2.5	800V	24A	0.2mm ² - 2.5mm ²	24 - 12	46	5.2	42.5	54.75	47.25
PC 4*	800V	32A	0.2mm ² - 4mm ²	24 - 10	46	6.2	42.5	54.75	47.25
PC 6	800V	41A	0.2mm ² - 6mm ²	24 - 8	46	8.2	42.5	54.75	47.25
PC 10	800V	57A	0.2mm ² - 10mm ²	20 - 10	46	10.2	42.5	54.75	47.25
PC 16	800V	76A	0.2mm ² - 16mm ²	12 - 10	52.8	12.2	52.8	61.55	54.05
PC 35	1000V	125A	0.2mm ² - 35mm ²	18 - 1/0	62	15.2	50	70.75	63.25
PC 50	1000V	125A	16mm ² - 50mm ²	6 - 1/0	75.9	20	70.45	83.45	75.95

Product Dimensions

PC 2.5

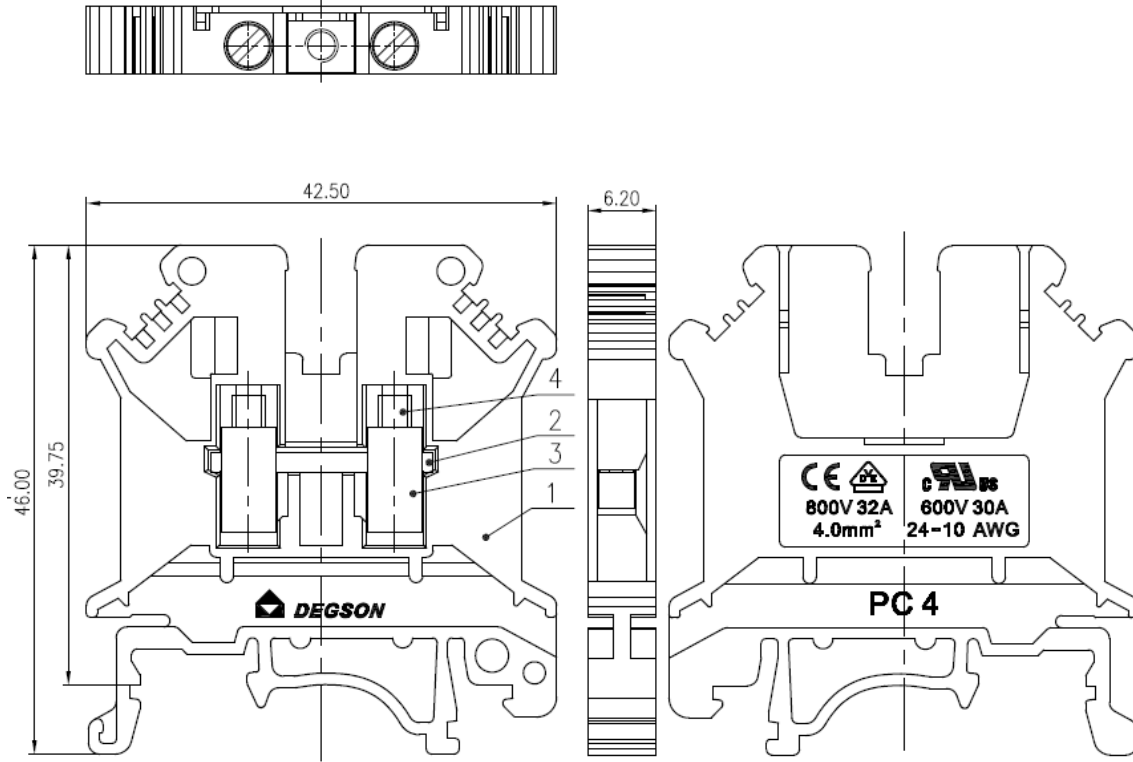
Available in Grey



Product Dimensions cont...

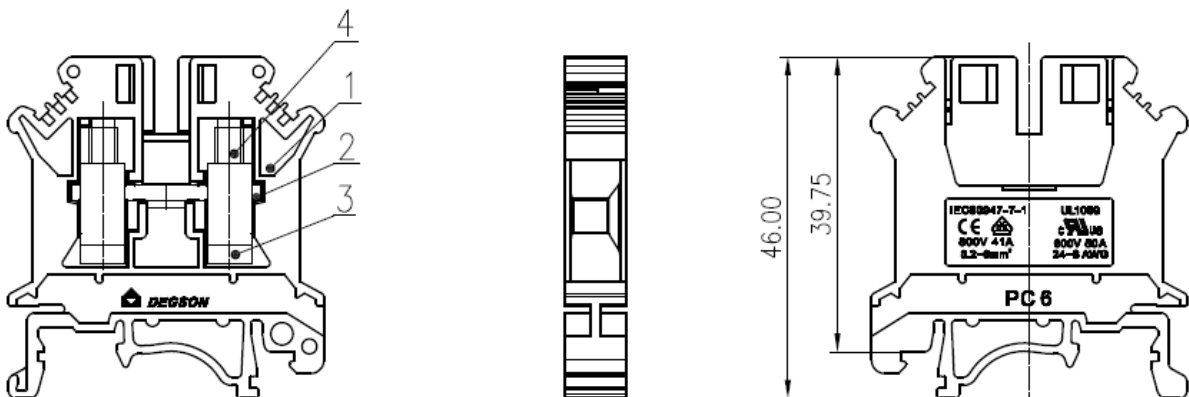
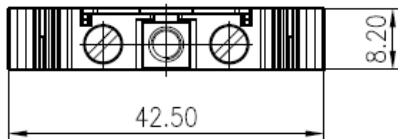
PC 4

Available in Grey, Black, Blue, Red and White



PC 6

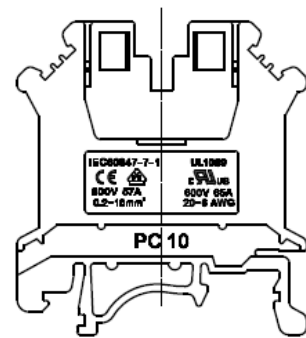
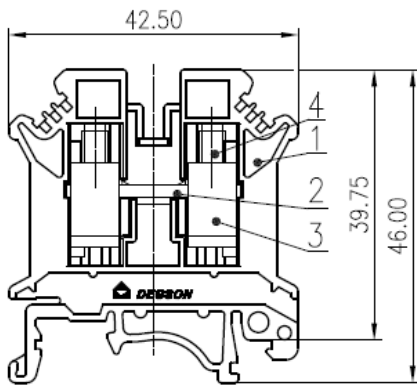
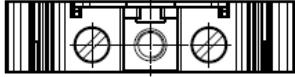
Available in Grey



Product Dimensions cont...

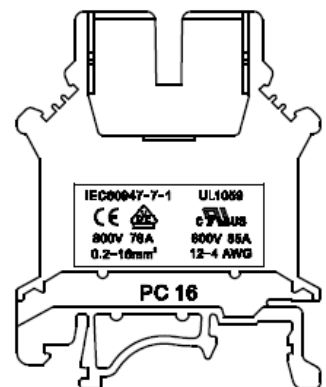
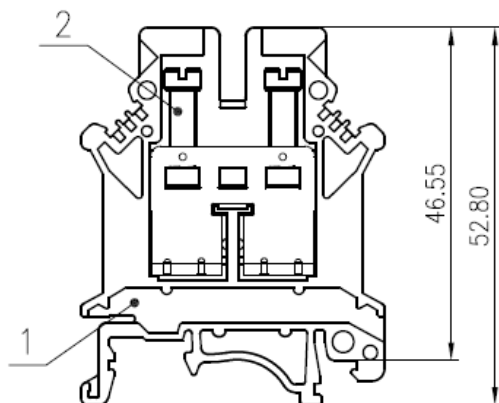
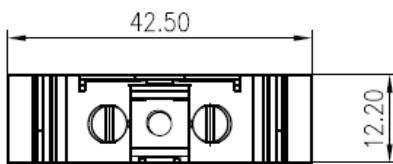
PC 10

Available in Grey



PC 16

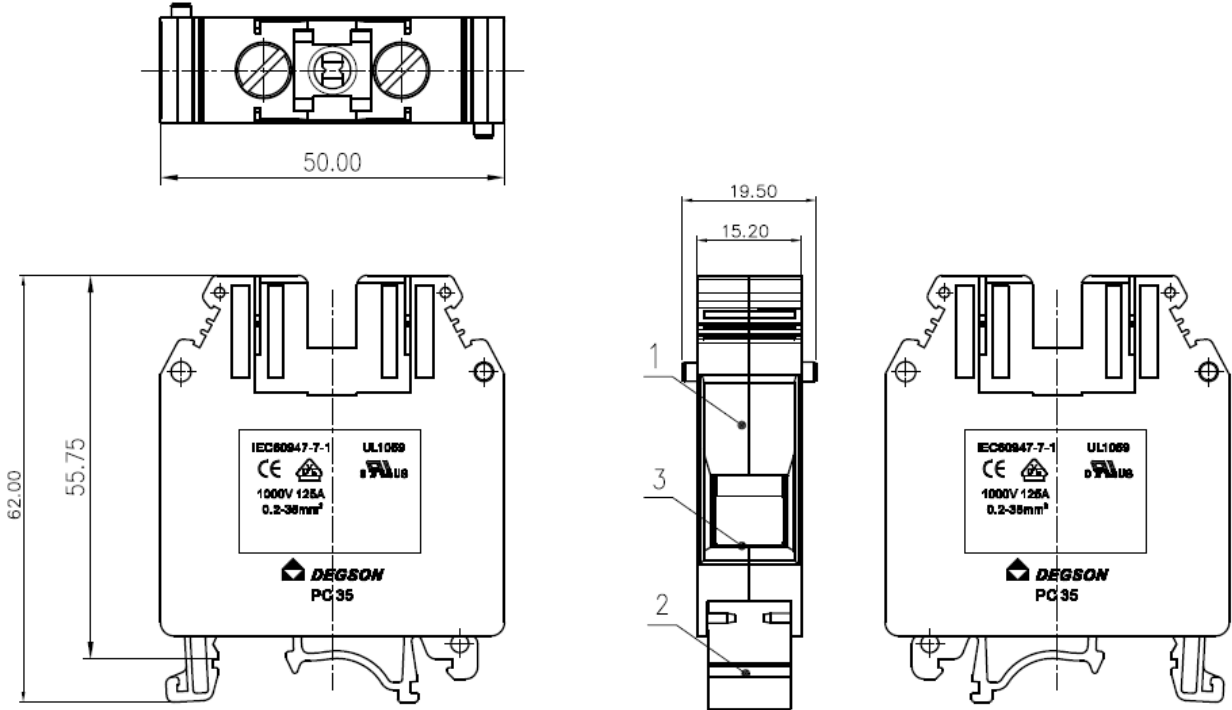
Available in Grey



Product Dimensions cont...

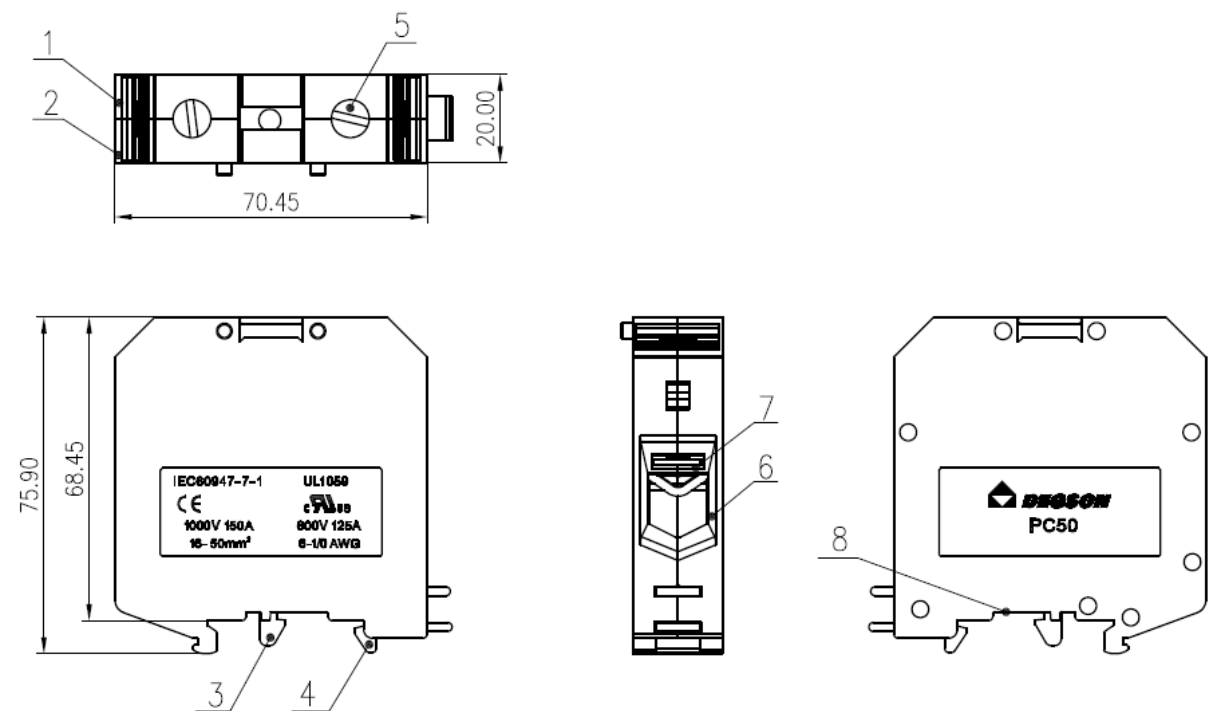
PC 35

Available in Grey



PC 50

Available in Grey



Subject to change without notice