

Degson Earth Terminals – PC Series

Specifications

Screw type Din-Rail TB

Screw/Cage: Copper Alloy

Connection type: Screw/ Plug-in connection

Number of connections: 2

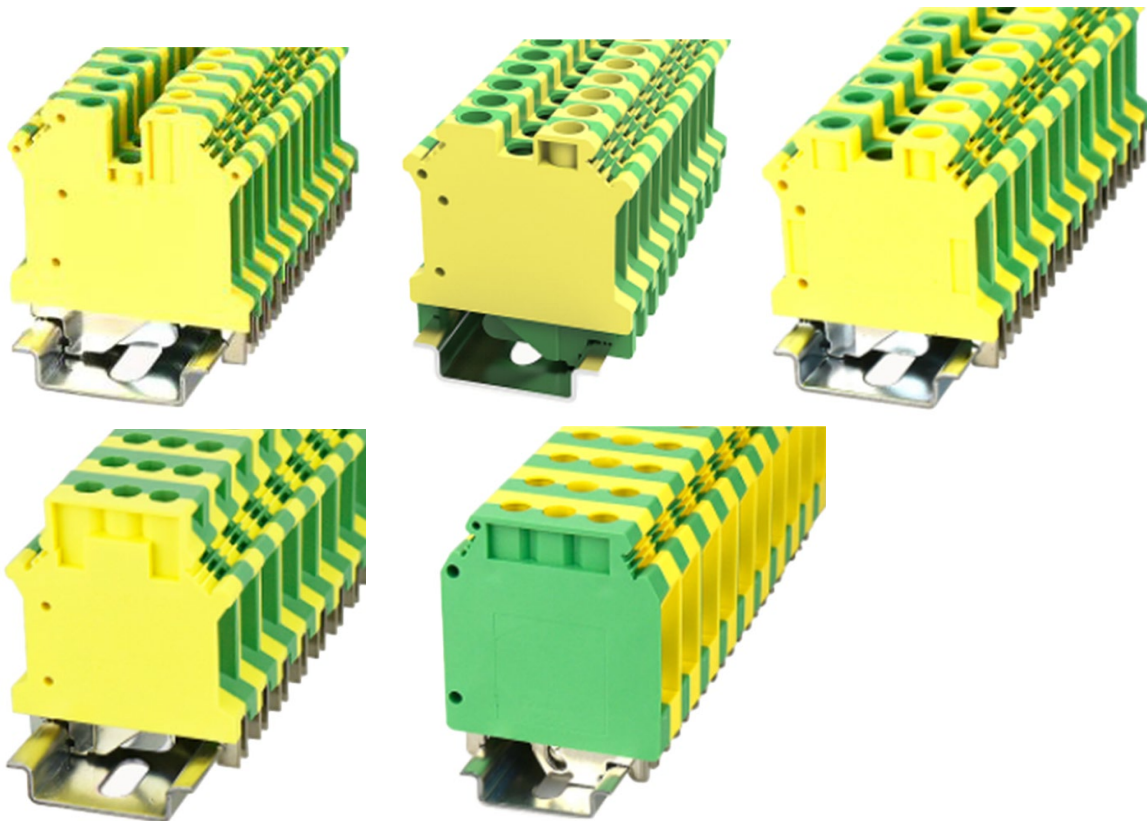
Number of potentials: 1

Colour: Green-Yellow

Mounting type: NS 35/7.5, NS35/15

Manufacturer: Degson

Product images



Product advantages

- Screw connection technology, reliable connection
- Grounding structure, protection circuit
- Copper alloy material, good corrosion resistance
- Complete product line to meet the needs of different customers
- Can be matched with marker strips to avoid incorrect insertion of wires

Product Certifications

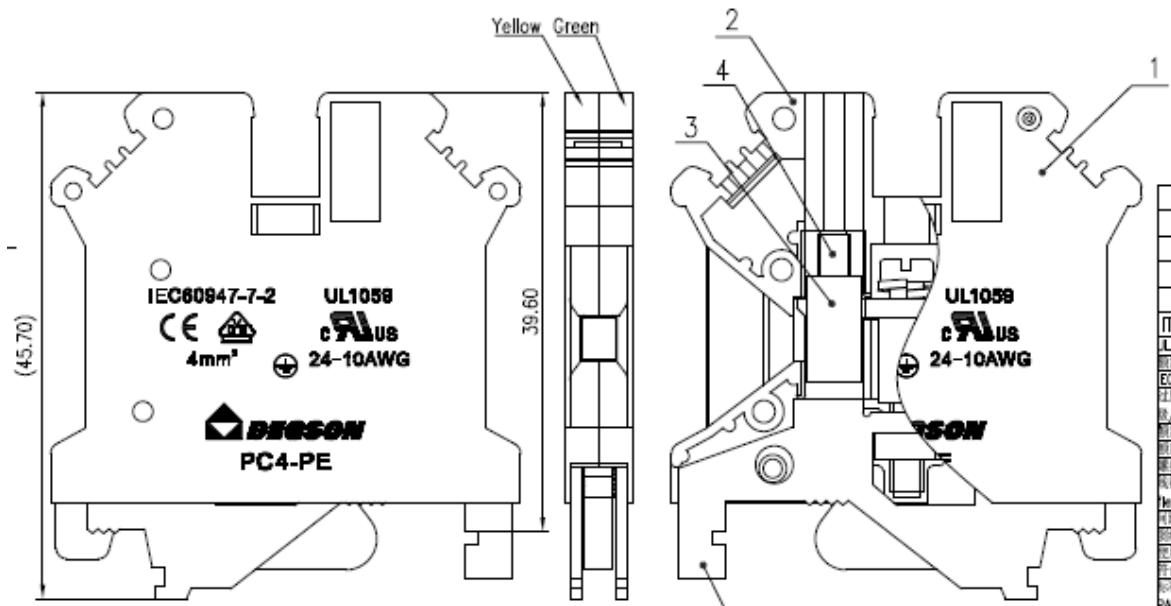
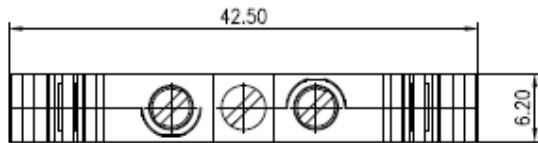


Product details

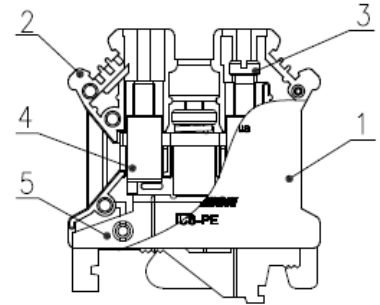
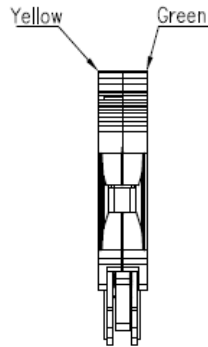
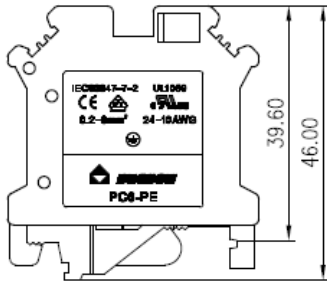
Part No.	Cross Section	AWG	H (mm)	W (mm)	Length (mm)	NS 35/15 Height	NS 35/7.5 Height
PC4-PE	0.2mm ² - 4mm ²	24 - 10	46	6.2	42.50	54.6	47.1
PC6-PE	0.2mm ² - 6mm ²	24 - 8	46	8.2	42.5	54.6	47.1
PC10-PE	0.2mm ² - 10mm ²	24 - 6	46	10.2	42.5	54.75	47.25
PC16-PE	0.2mm ² - 16mm ²	12 - 4	52.8	12.2	52.8	61.5	54
PC35-PE	0.2mm ² - 35mm ²	18 - 1/0	61.80	15.2	50	70.35	62.85

Product Dimensions

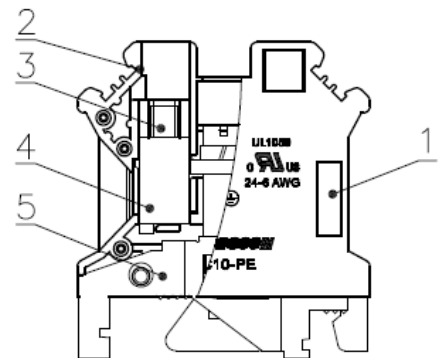
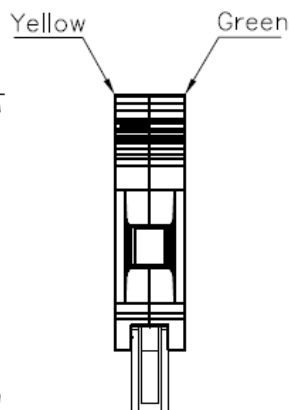
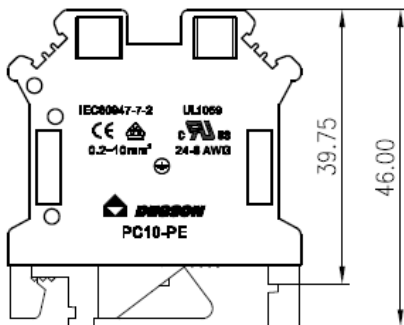
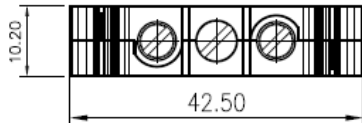
PC4-PE



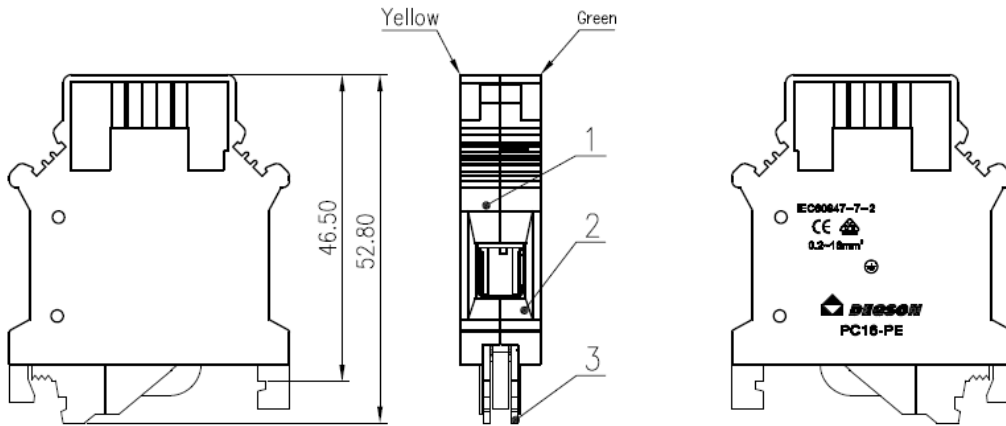
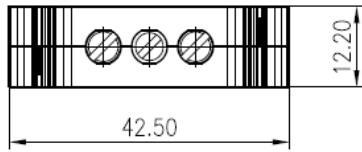
PC6-PE



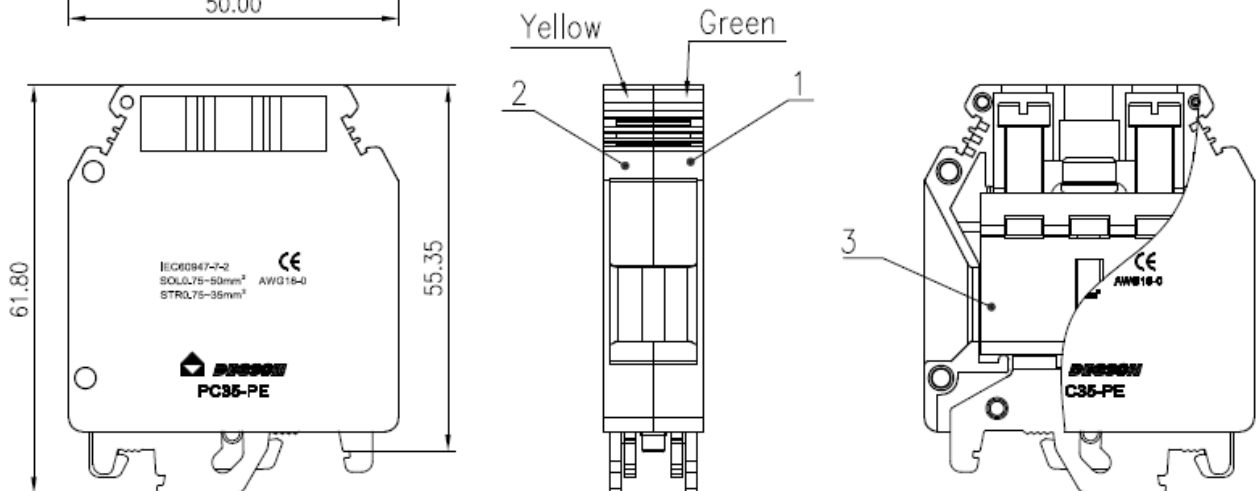
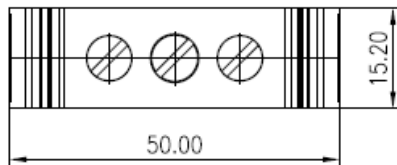
PC10-PE



PC16-PE



PC35-PE



Subject to change without notice