

PC Series Double Decker Terminals

General Information

Brand: Degson

Products type: The PC range of screw connection terminal blocks are used for termination of connections and field wiring in a switchboard or control panel. The double deck variant saves space on the Din rail compared to single level terminals.

Suitable For: With copper alloy cage clamps, the PC series is ideal for industrial and harsh environment applications.



Dimensions

56mm High x 60.7mm Deep x 6.2mm (8.8mm total) Wide

Specifications

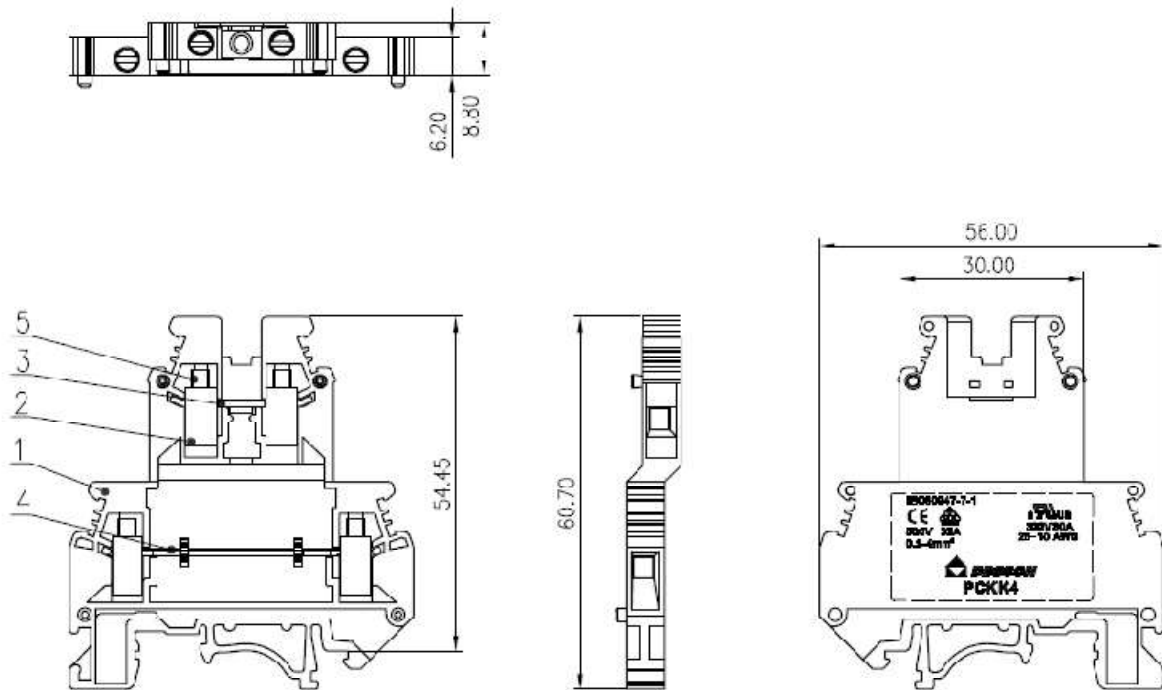
Technical Characteristic	Value
Connection Type	Screw Connection
Rated Current	32A
Cable Size	0.2mm ² – 4mm ²
Mounting	DIN Rail NS 35/7.5, NS35/15
Carrier Material	Copper
Screw & Cage Material	Copper Alloy
Housing Material	PA66 UL94V-0
Number of voltages	2
Total Connection points	4
Colours	Grey, Black, Blue & Red

Part Numbers

Colour	Part Number
Grey	PCKK4
Black	PCKK4.1
Blue	PCKK4.2
Red	PCKK4.4

Dimension Diagrams

PCKK4



Subject to change without notice