

Degson Universal End Clamps – Spring Foot

Specifications

Universal mounting feet for NS 35 DIN rail

Insulation Material: PA

Colour: Grey

Mounting type: NS35

Flame retardant grade, in line with UL 94: V0

Housing (1 below): PA66 UL94V-0

Stator (2 below): Stainless Steel

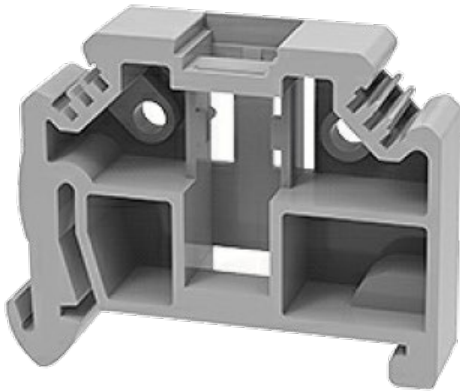
Pitch (mm)/Poles: 10.0/1P

Operating Temperature: -40°C - 105°C

Conforms to RoHS: Yes

Manufacturer: Degson

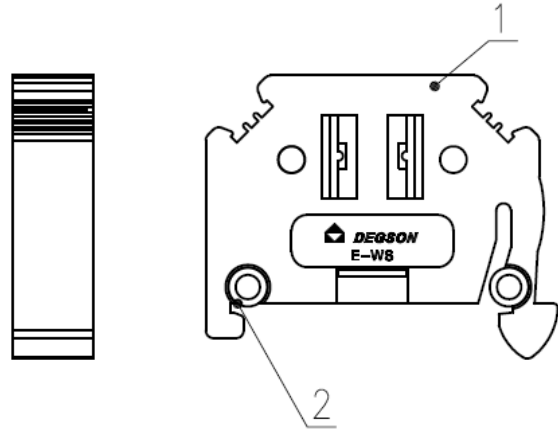
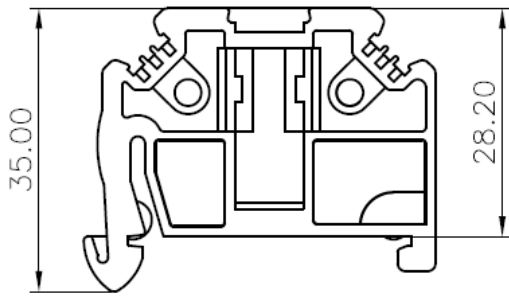
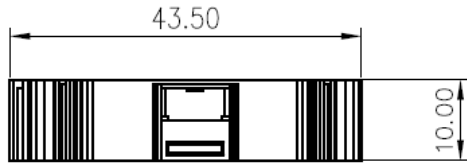
Product Image



Product Details

Part No.	Description	Compatible with Degson Terminals
CTE-WS	Universal End Clamp Spring Foot	<ul style="list-style-type: none">• PC Series• DC Series• DS Series

Product Dimensions



Subject to change without notice