

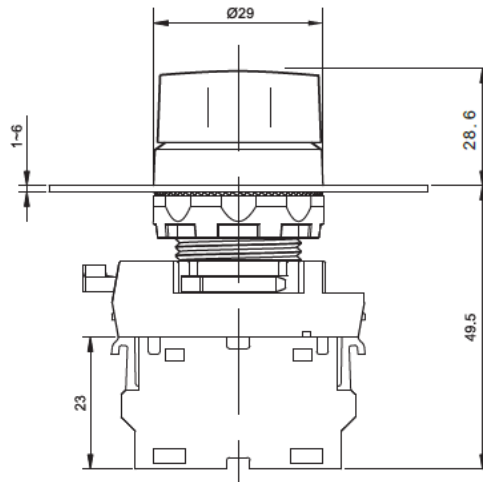
Selector Switches

Specifications

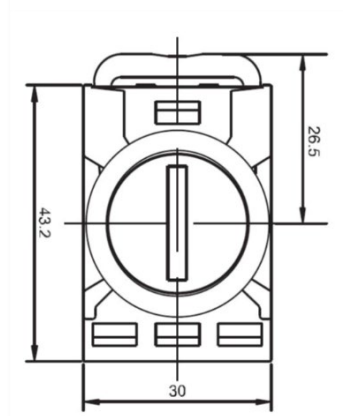
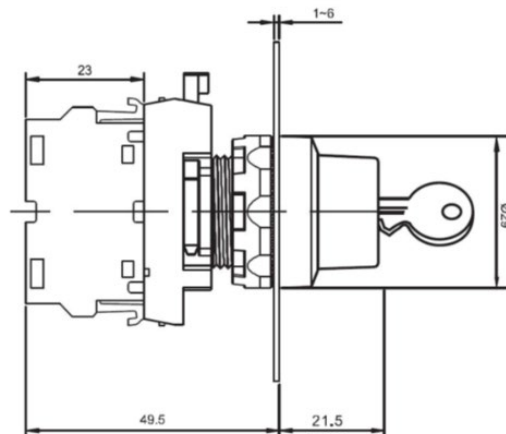
Hole Diameter:	Ø 22mm
Ambient Air Temperature:	-25°C - 60°C
Conventional Thermal Current I _{th} :	10A
Rated AC15	36V/10A, 110V/10A, 220V/5A, 380V/2.7A, 660V/1.8A
Rated DC13	24V/4A, 48V/ 4A, 110V/2A, 440V/0.6A
Contact Resistance:	50mΩ
Insulation Resistance:	10mΩ
Protection degree in front of panel:	IP65
Protection degree behind panel:	IP40

Product Images and dimensions

MAINTAINED/SPRING RETURN



KEYED MAINTAINED



Product Details

Part No.	Detail	Position
SS22-2P-20X-M	2 x N/O	2 Position - Maintained
SS22-2P-11X-M	1 x N/O + 1 x N/C	2 Position – Maintained (Changeover)
SS22-2P-10X/SR	1 x N/O	2 Position - Spring Return R to L
SS22-2P-11Y-KM	1 x N/O + 1 x N/C	2 Position - Keyed Maintained
SS22-3P-20X-M	2 x N/O	3 Position - Maintained
SS22-3P-02X-M	2 x N/C	3 Position - Maintained
SS22-3P-11X-M	1 x N/O + 1 x N/C	3 Position - Maintained
SS22-3P-11XS/SR	1 x N/O + 1 x N/C	3 Position - Spring Return
SS22-3P-20Y-KM	2 x N/O	3 Position - Keyed Maintained

Subject to change without notice