

## Lamp Testers

### Specifications

Max Perm Operating Voltage: 50VDC

Max Current (Per Branch): 1A

Stripping Length: 6mm

Torque: 0.4Nm (3.54Lb-In)

Input Wire: 0.2-1.5mm<sup>2</sup>/26-14AWG

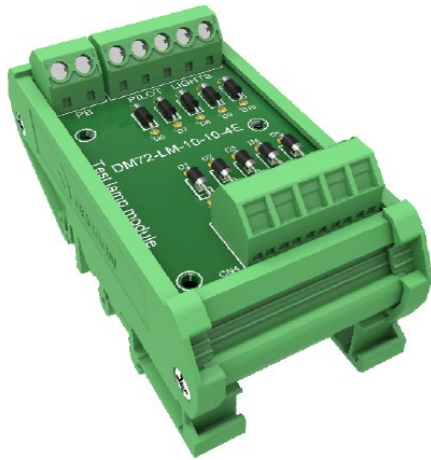
Output Wire: 0.2-1.5mm<sup>2</sup>/26-14AWG

Mounting: 35mm DIN Mount

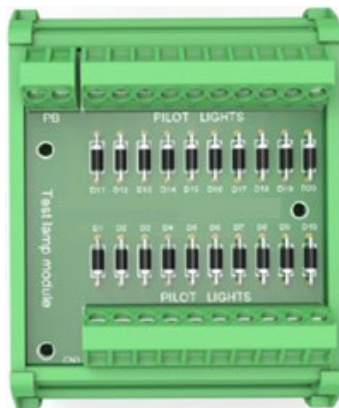
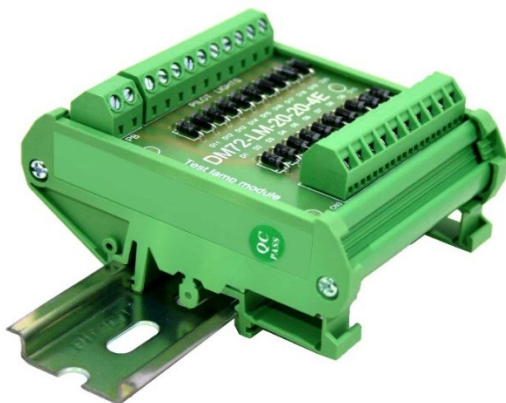
Manufacturer: Degson

### Product Images

#### 10 Way



#### 20 Way

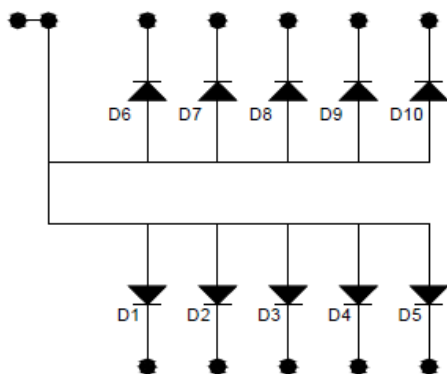
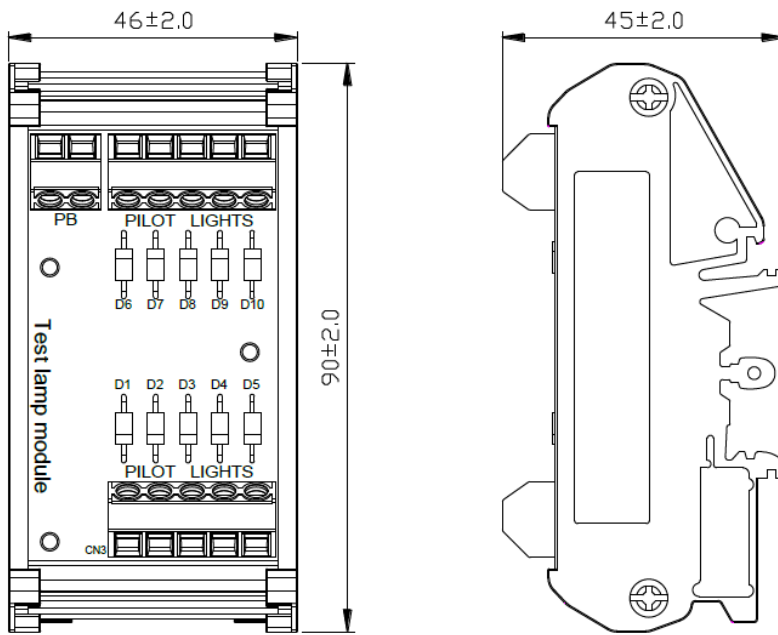


**Product Details**

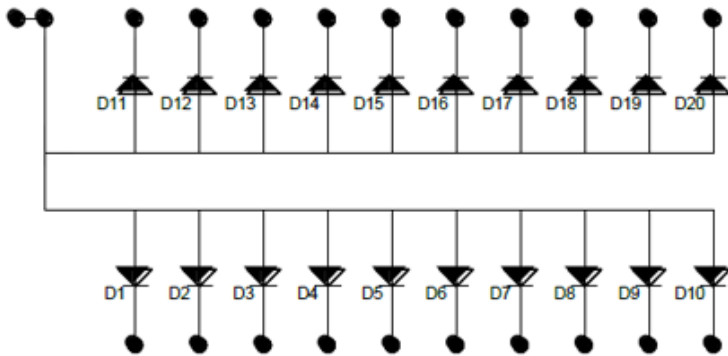
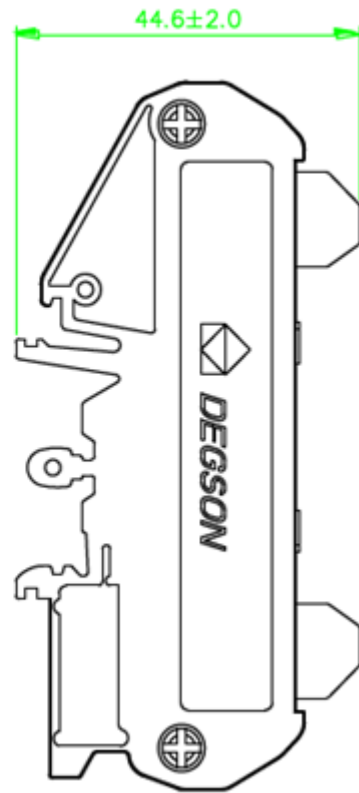
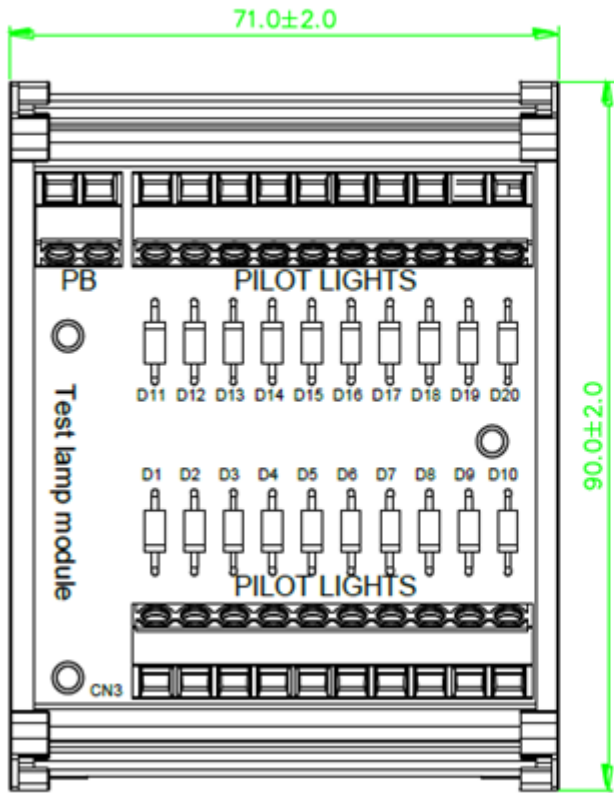
Part No.	Product	Ambient Temperature	Ways
DLT-1010	Degson Lamp Tester	-25°C – 70°C	10
DLT-2020	Degson Lamp Tester	-20°C – 50°C	20

**Product Dimensions and Wiring Diagrams**

**DLT-1010**



DLT-2020



Subject to change without notice