

2 Pole Relay and Base



2 Pole Relays

Features

- Slim compact size
- LED indicator light
- Lockable test button and inspection window
- Easy identification of coil through test button colour (AC red / DC blue)
- Easy installation
- High sensitivity
- Point dynamic test and self-locking function
- Conformity with RoHS

Product Images



Product Certifications



Specifications

Contact Data

Configuration		2C
Rated current/	Resistive load	8A/250VAC, 30VDC
Rated voltage	Motor load	1/6HP, 240VAC
Switching capacity (resistive)		2000VA, 240W
Initial contact resistance		≤50mΩ
Material		Ag alloy
Electric durability (110% rated voltage , 55°C)		≥20 x 10 ⁴ (1800 Ops/h)
Electric durability (Normal temperature)		≥30 x 10 ⁴ (600 Ops/h)
Mechanical durability		≥2000 x 10 ⁴ (18000 Ops/h)

Characteristics

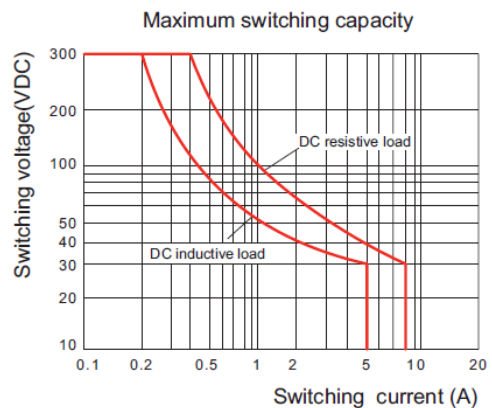
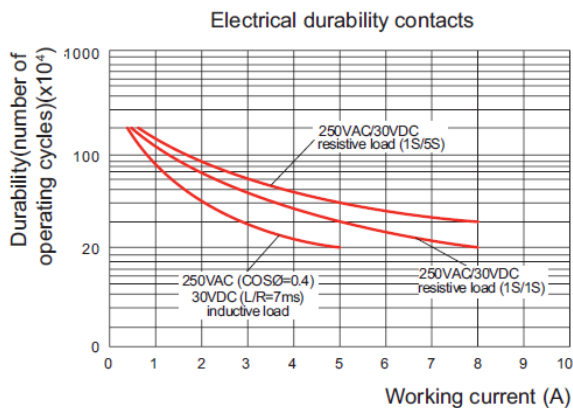
Pick-up voltage (23°C)		DC:≤75% (rated voltage), AC:≤80% 50/60Hz (rated voltage)
Drop-out voltage (23°C)		DC:≥10% (rated voltage),AC:≥30% 50/60Hz (rated voltage)
Maximum voltage (23°C)		110% (rated voltage)
Insulation resistance		≥1000MΩ (500VDC)
Coil operating power	DC (W)	approx. 0.53
	AC (VA)	approx. 1.0
Operate time (at nominal voltage)		≤20ms
Release time (at nominal voltage)		≤10ms
Initial breakdown voltage	Between open contacts	1000VAC/1min (leakage current 1mA)
	Between poles	3000VAC/1min (leakage current 1mA)
	Between contacts and coil	5000VAC/1min (leakage current 1mA)
Ambient temperature		-40~+55°C
Humidity		5%~85%RH
Air pressure		86~106KPa
Shock resistance		10G (half-sine shock pulse: 11ms)
Vibration resistance		10~55Hz double-amplitude: 1.0mm
Mounting		plug in
Unit weight		Approx. 18g

Coil Data (23°C)

Nominal voltage V.DC	12	24
Coil resistance Ω	270	1100
Nominal voltage V.AC	24	230
Coil resistance Ω	240	23000

Remark: Coil resistance under coil voltage 110V are measured with tolerance of ±10%Ω, above coil voltage 110V are measured with tolerance of ±15%Ω.

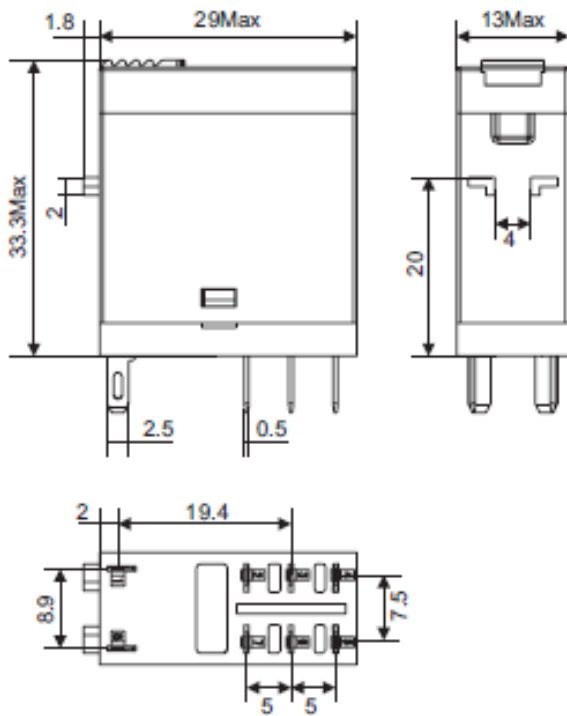
Contact Specification



Product Details

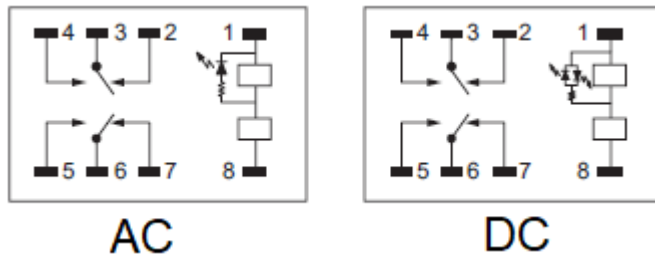
Part No.	Voltage
RFT-2P-12DC	12V DC
RFT-2P -24DC	24V DC
RFT-2P -24AC	24V AC
RFT-2P -230AC	230V AC

Product Dimensions



Dimensions in mm

Wiring Diagram



2 Pole Relay Base

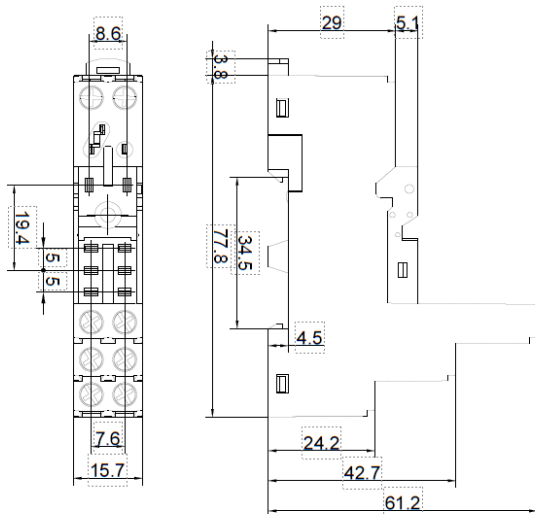
Product Image



Product Specifications

Rated Current/Rated Voltage	12A/300V
Dielectric strength adjacent contact circuits	2500
Conductor crosssection solid and stranded	min. 0.5mm ² / max. 2.5mm ²
Conductor cross section (A.W.G)	min.20/max.14
Stripping Length	7mm
Screw Thread	M3
Ambient Temperature (operation)	-25 °C ~+ 85°C

Product Dimensions



Dimensions in mm

Product Details

Part No.	Detail
RB-2P-E4	2 Pole Relay Base

Subject to change without notice