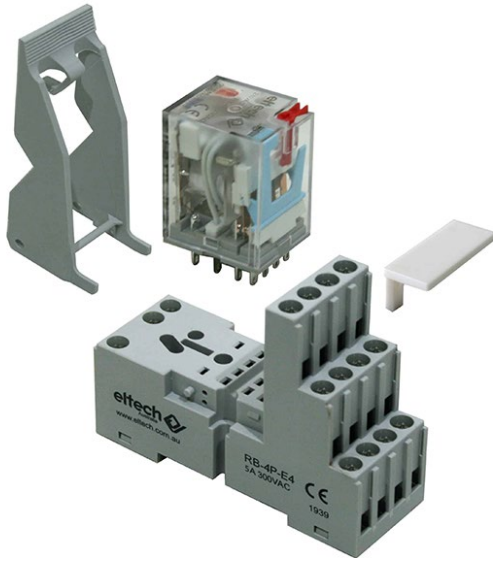


## 4 Pole Relay and Base Spec Sheet



### 4 Pole Relays

#### Features

- LED Indicator Light
- Flaggable
- Contact Load (resistance): 5A 250VAC/30VDC

#### Product Images



#### Product Details

Part No.	Voltage
RY-4P-12DC	12V DC
RY-4P-24DC	24V DC
RY-4P-24AC	24V AC
RY-4P-230AC	230V AC

**Product Certifications**



**Specifications**

**Technical Data**

Contact arrangement	4P
Contact resistance (typical)	50m Ω (1A 24VDC)
Contact materials	AgSnO <sub>2</sub> , AgCdO <sub>2</sub>
Contact load (resistance)	5A 250VAC/ 30VDC
Max. switching voltage	250VAC/30VDC
Max. switching current	5A
Max. switching power	1250VA/ 150W
Mechanical endurance	1x10 <sup>7</sup>
Electrical endurance	1x10 <sup>5</sup>

**Characteristics**

Insulation resistance	1000M Ω (500VDC)
Dielectric strength - Between coil and contact	1500VAC 1Min
Dielectric strength - Between open contacts	1000VAC 1Min
Dielectric strength - Between contact sets	1500VAC 1Min
Operate time	25ms
Release time	25ms
Shock resistance - Functional	100m/s <sup>2</sup>
Shock resistance - Destructive	1000m/s <sup>2</sup>
Vibration	10~55Hz 1mm
Humidity	98%RH, +40°C
Ambient Temperature	-40°C~+70°C
Termination	PCB, plug-in
Weight	37g
Construction	Dust protected

**Coil Data**

Coil power	AC: 900mW; DC:1.2VA
------------	---------------------

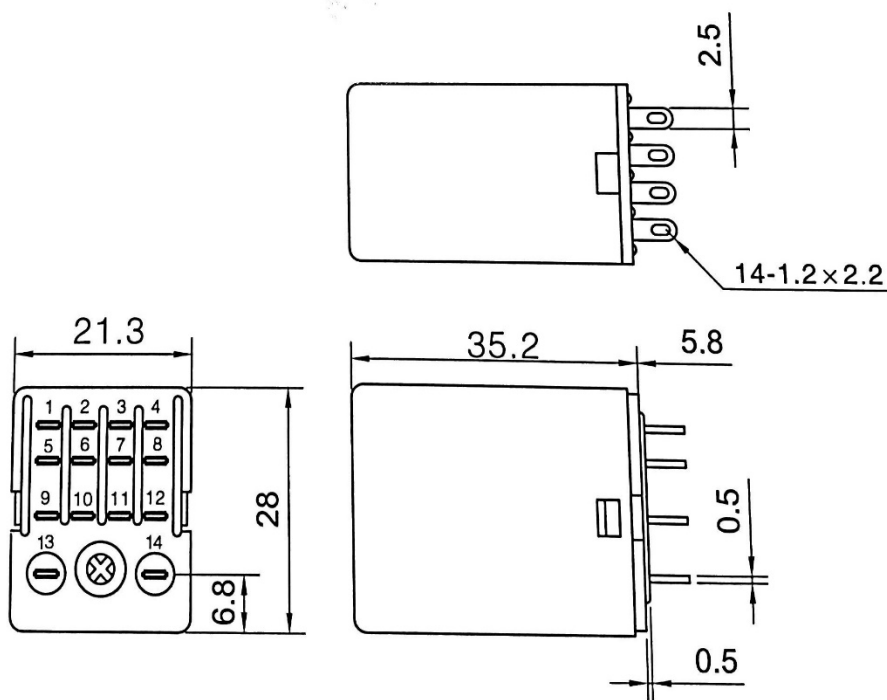
**DC Coil Data (23°C)**

Rated voltage	Pick-up voltage	Drop-out voltage	Coil resistance
12	≤ 9.6	≥ 1.2	160±10%
24	≤ 19.2	≥ 2.4	650±10%

**AC Coil Data (23°C)**

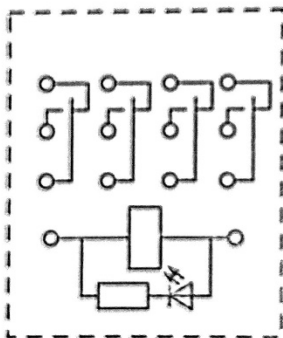
Rated voltage	Pick-up voltage	Drop-out voltage	Coil resistance
24	≤ 19.20	≥ 7.2	180±10%
220/240	≤ 176.0	≥ 66.0	18790±10%

**Product Dimensions**



Dimensions in mm

**Wiring Diagrams**



## 4 Pole Relay Base

### Product Image



### Specifications

- Rated current / Rated voltage: 12A / 300V
- Dielectric strength adjacent to contact circuits: 2500
- Conductor cross section solid and stranded: min 0.5mm<sup>2</sup> / max 2.5mm<sup>2</sup>
- Conductor cross section (A.W.G): min. 20 / max. 14
- Stripping length: 7mm
- Screw Thread: M3
- Ambient temperature operation: -25°C – 85°C

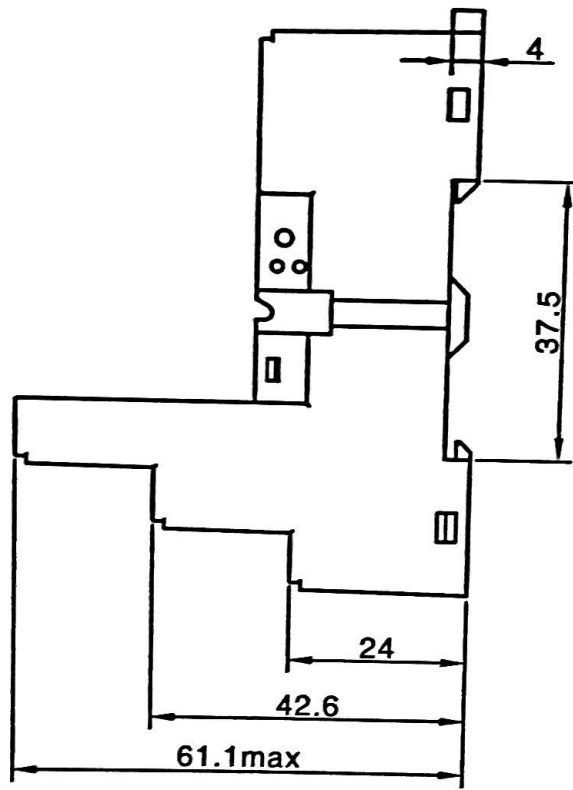
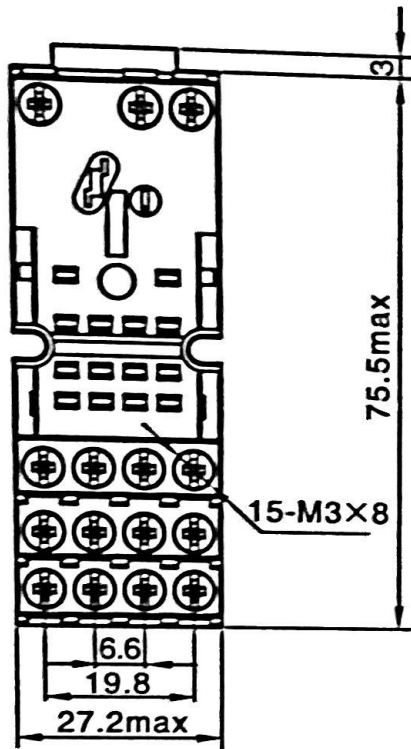
### Product Details

Part No.	Detail
RB-4P-E4	4 Pole Relay Base

### Product Certifications

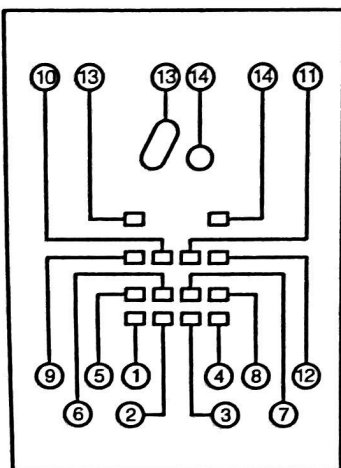


**Product Dimensions**



Dimensions in mm

**Wiring Diagram**



Subject to change without notice