

Stand Off Insulators

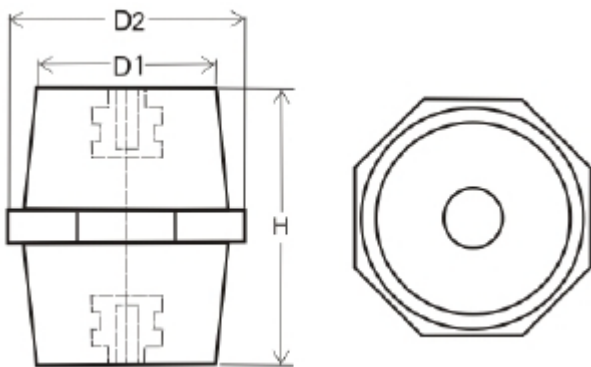
Technical Specifications

Specific Gravity	1.90%
Glass Content	15%
Water Absorption	0.15%
Tensile Strength	400 kgf/cm ²
Flexural Strength	900 kgf/cm ²
Compressive Strength	1500 kgf/cm ²
Impact Strength Izod	250 J/m
Dielectric Strength	10 KV/mm
Tracking Index	+600 Volts
Arc Resistance	+180 Sec
Flammability	V-0

Product Images



Product Dimensions & Details



Part No.	D1 (mm)	D2 (mm)	H (mm)	Bush Size
SOI25/6	24	26	25	M6
SOI35/8	26	34	35	M8
SOI50/8	35	45	51	M8
SOI50/10	38	50	51	M10
SOI75/10	38	55	76	M10

Subject to change without notice