

## Single Cord End Ferrules

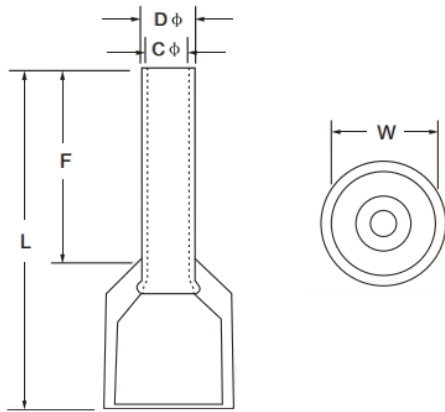
### Specifications

- Material: Tin-plated Copper
- Insulation Material: Nylon 66
- Packaging: Loose pieces in pre-sealed plastic packets

### Product Images



**Product Details and Dimensions**



Part No.:	Conductor Size	F	L	W	D Φ	C Φ	Colour	Pack Qty
CE0025	0.25	6.0	10.4	1.9	1.1	0.8	Violet	500
CE0034	0.34	6.0	10.0	2.0	1.1	0.8	Pink	500
CE05	0.50	8.0	14.0	2.6	1.3	1.0	White	500
CE075	0.75	8.0	14.6	2.8	1.5	1.2	Blue	500
CE010	1.00	8.0	14.6	3.0	1.7	1.4	Red	500
CE015	1.50	8.0	14.6	3.5	2.0	1.7	Black	500
CE025	2.50	8.0	15.2	4.0	2.6	2.3	Grey	500
CE025L	2.50	18.0	25.2	4.0	2.6	2.3	Grey	500
CE040	4.00	9.0	16.5	4.4	3.2	2.8	Orange	100
CE040L	4.00	12.0	19.5	4.4	3.2	2.8	Orange	100
CE060	6.00	12.0	20.0	6.3	3.9	3.5	Green	100
CE060L	6.00	18.0	26.0	6.3	3.9	3.5	Green	100
CE100	10.00	12.0	21.5	7.6	4.9	4.5	Brown	100
CE100L	10.00	18.0	27.5	7.6	4.9	4.5	Brown	100
CE160	16.00	12.0	22.2	8.8	6.2	5.8	White	100
CE160L	16.00	18.0	28.2	8.8	6.2	5.8	White	100
CE250	25.00	16.0	29.0	11.2	7.9	7.5	Black	100
CE250L	25.00	22.0	35.0	11.2	7.9	7.5	Black	100
CE350	35.00	16.0	30.0	12.7	8.7	8.3	Red	100
CE350L	35.00	25.0	39.0	12.7	8.7	8.3	Red	100
CE500	50.00	20.0	36.0	15.3	10.9	10.3	Blue	100
CE700	70.00	20.0	37.0	16.0	14.3	13.5	Yellow	10
CE950	95.00	25.0	18.5	18.5	15.3	14.5	Red	10

Subject to change without notice