

Pre-Insulated Ring Terminals - Single Conductor Grip Range

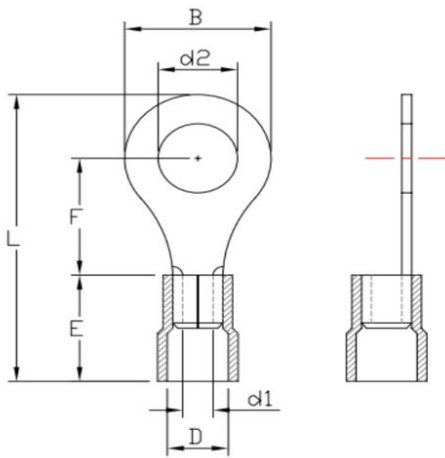
Specifications

- Conductor Material: Copper
- Treatment: Tin plating
- Insulation Material: Vinyl
- Maximum electrical rating: 105°C 600 volts
- Packet quantity: 100pc

Product Images



Product Details and Dimensions



Red

Part No:	Colour	Wire Range (mm ²)	AWG	d2	B	F	L	E	D	d1
IR1-3	Red	0.5 – 1.5	22 - 16	3.2	5.5	4.0	16.7	10.0	4.1	1.7
IR1-3.5	Red	0.5 – 1.5	22 - 16	3.7	6.6	6.3	19.6	10.0	4.1	1.7
IR1-4	Red	0.5 – 1.5	22 - 16	4.3	8.0	7.0	21.0	10.0	4.1	1.7
IR1-5	Red	0.5 – 1.5	22 - 16	5.3	8.0	7.0	21.0	10.0	4.1	1.7
IR1-6	Red	0.5 – 1.5	22 - 16	6.5	11.6	11.1	26.8	10.0	4.1	1.7
IR1-8	Red	0.5 – 1.5	22 - 16	8.4	11.6	11.1	26.8	10.0	4.1	1.7
IR1-10	Red	0.5 – 1.5	22 - 16	10.5	13.6	13.9	30.7	10.0	4.1	1.7
IR1-12	Red	0.5 – 1.5	22 - 16	13.0	19.2	16.0	35.6	10.0	4.1	1.7

Measurements are in mm

Blue

Part No:	Colour	Wire Range (mm ²)	AWG	d2	B	F	L	E	D	d1
IR2-3	Blue	1.5 – 2.5	16 - 14	3.2	6.4	4.3	17.5	10.0	4.5	2.3
IR2-3.5	Blue	1.5 – 2.5	16 - 14	3.7	6.6	6.3	19.5	10.0	4.5	2.3
IR2-4	Blue	1.5 – 2.5	16 - 14	4.3	8.5	7.8	22.0	10.0	4.5	2.3
IR2-5	Blue	1.5 – 2.5	16 - 14	5.3	9.5	7.3	22.0	10.0	4.5	2.3
IR2-6	Blue	1.5 – 2.5	16 - 14	6.5	12.0	11.0	27.0	10.0	4.5	2.3
IR2-8	Blue	1.5 – 2.5	16 - 14	8.4	12.0	11.0	27.0	10.0	4.5	2.3
IR2-10	Blue	1.5 – 2.5	16 - 14	10.5	13.6	13.9	30.7	10.0	4.5	2.3
IR2-12	Blue	1.5 – 2.5	16 - 14	13.0	19.2	16.0	35.6	10.0	4.5	2.3

Measurements are in mm

Yellow

Part No:	Colour	Wire Range (mm ²)	AWG	d2	B	F	L	E	D	d1
IR5-4	Yellow	4.0 – 6.0	12 - 10	4.3	9.5	8.3	26.0	13.0	6.5	3.4
IR5-5	Yellow	4.0 – 6.0	12 - 10	5.3	9.5	8.3	26.0	13.0	6.5	3.4
IR5-6	Yellow	4.0 – 6.0	12 - 10	6.5	12.0	10.5	29.5	13.0	6.5	3.4
IR5-8	Yellow	4.0 – 6.0	12 - 10	8.4	15.0	13.7	34.2	13.0	6.5	3.4
IR5-10	Yellow	4.0 – 6.0	12 - 10	10.5	15.0	13.7	34.2	13.0	6.5	3.4
IR5-12	Yellow	4.0 – 6.0	12 - 10	13.0	19.2	16.0	38.6	13.0	6.5	3.4

Measurements are in mm

Maximum Electric Current

AWG	22	20	18	16	14	12	10
Max Amp	9	12	17	18	30	35	50

Colour	Red	Blue	Yellow
Wire Range (mm ²)	0.5 - 1.5	1.0 - 2.5	4.0 - 6.0
Ring Terminals	9 - 18 A	18 - 30 A	35 - 50 A

Subject to change without notice