

Pre-Insulated Flat Blade Terminals - Twin Conductor Grip Range

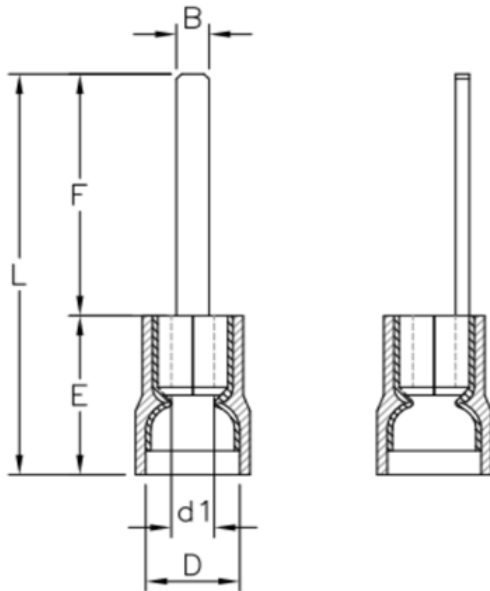
Specifications

- Conductor Material: Copper
- Treatment: Tin plating
- Insulation Material: Vinyl
- Maximum electrical rating: 105°C 600 volts
- Reinforcement sleeve: C type sleeve
- Packet quantity: 100pc

Product Images



Product Details and Dimensions



Red

Part No:	Colour	Wire Range (mm ²)	AWG	B	F	L	E	D	d1	thick
FB1-10TG	Red	0.5 – 1.5	22 - 16	2.4	10.7	20.7	10.0	4.5	1.7	0.75

Measurements are in mm

Blue

Part No:	Colour	Wire Range (mm ²)	AWG	B	F	L	E	D	d1	thick
FB2-13TG	Blue	1.5 – 2.5	16 - 14	2.4	13.0	23.0	10.0	5.0	2.3	0.8
FB2-18TG	Blue	1.5 – 2.5	16 - 14	2.4	18.0	28.0	10.0	5.0	2.3	0.8

Measurements are in mm

Maximum Electric Current

AWG	22	20	18	16	14	12	10
Max Amp	9	12	17	18	30	35	50

Colour	Red	Blue	Yellow
Wire Range (mm ²)	0.5 - 1.5	1.0 - 2.5	4.0 - 6.0
Flat Blade Terminals	9 - 18 A	18 - 30 A	35 - 50 A

Subject to change without notice