

Pre-Insulated End Connectors

Specifications

- Conductor Material: Copper
- Treatment: Tin-plated
- Insulation Colour: Natural
- Insulation Material: Nylon 66 94V-2
- Packet quantity: 100pc

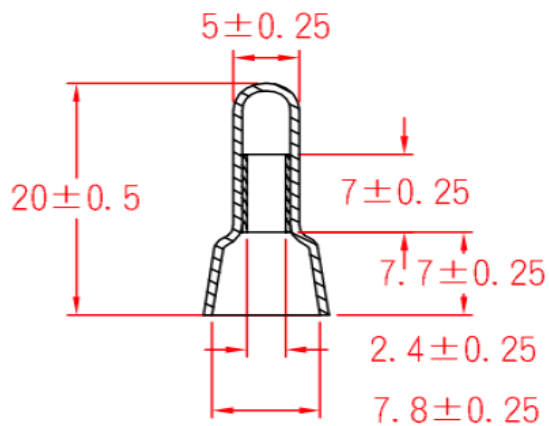
Product Image



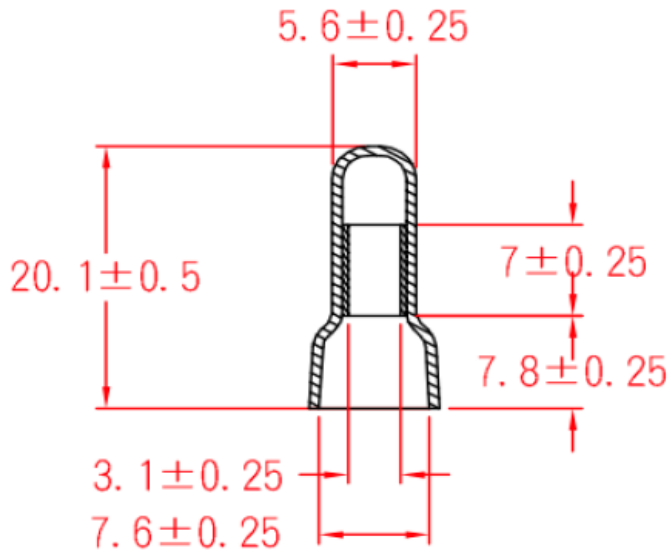
Product Details and Dimensions

Part No:	Conductor Range (mm)	A
UCE-1	0.5 – 1.5	3 – 10
UCE-2	1.5 – 2.5	10 - 15
UCE-5	4.0 – 6.0	20 – 24

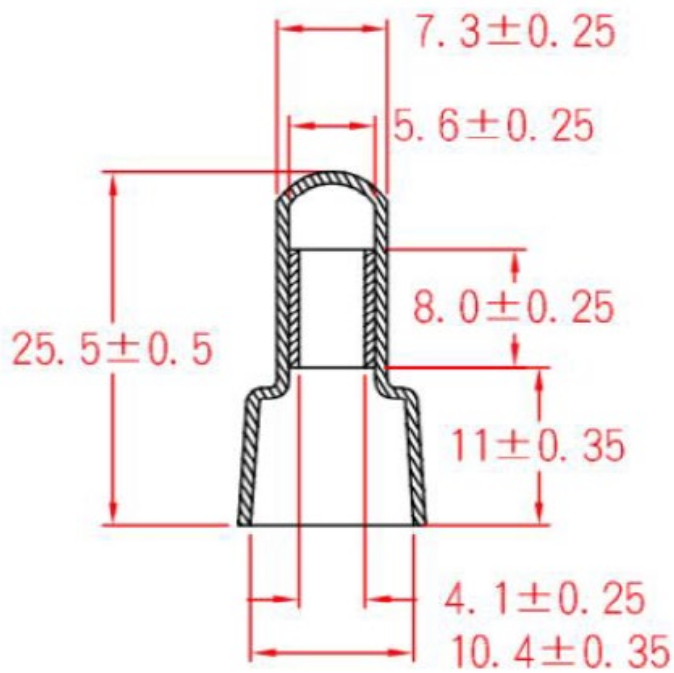
UCE-1



UCE-2



UCE-5



Subject to change without notice