

Pre-Insulated Quick Connectors – Piggy Back

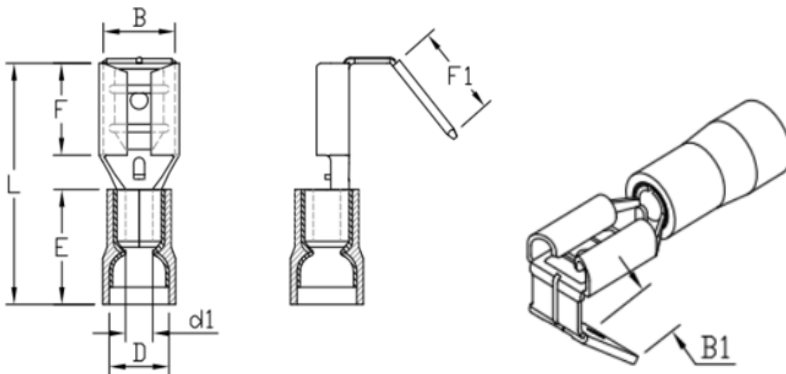
Specifications

- Conductor Material: Brass
- Treatment: Tin plating
- Insulation Material: Vinyl
- Maximum electrical rating: 105°C 300 volts
- Reinforcement Sleeve: C Type sleeve
- Packet quantity: 100pc

Product Image



Product Details and Dimensions



Part No:	Colour	Wire Range (mm ²)	AWG	NEMA TAB	B	B1	F	F1	L	E	D	d1	thick
PB1QC-6.3	Red	0.5 – 1.5	22 - 16	0.8 x 6.4	6.6	6.35	8	8.2	21	10	4.3	1.7	0.40
PB2QC-6.3	Blue	1.5 – 2.5	16 – 14	0.8 x 6.4	6.6	6.35	8	8.2	21	10	5.0	2.3	0.40
PB5QC-6.3	Yellow	4.0 – 6.0	12 - 10	0.8 x 6.4	6.6	6.35	8	8.2	24	13.5	6.5	3.4	0.40

Measurements are in mm

MAXIMUM ELECTRIC CURRENT

A. W. G	22	20	18	16	14	12	10
MAX AMP	3	4	7	10	15	20	24

Colour	Red	Blue	Yellow
Wire Range (mm ²)	0.5 - 1.5	1.0 - 2.5	4.0 - 6.0
Quick Connectors	3 - 10 A	10 - 15 A	20 - 24 A

Subject to change without notice