

Galvanised Half Saddles

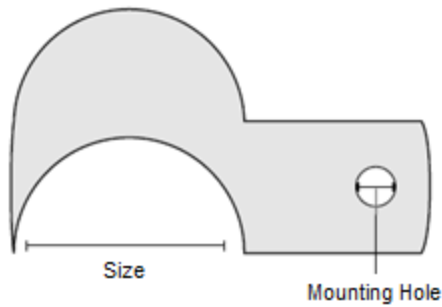
Specifications

- Manufactured from Cold Galvanised Steel
- Heavy duty material thickness
- Available in pack quantities only

Product Image



Product Dimensions & Details



Part No.	Size (mm)	Mounting hole (mm)	Pack Qty
LXHS16G	16	5.5 or 6.5	100
LXHS20G	20	6.5	100
LXHS25G	25	6.5	100
LXHS32G	32	6.5	60
LXHS40G	40	6.5	45
LXHS50G	50	6.5	20

Subject to change without notice