

FILTER, FAN & GRILL – FAN34



Product Details

Manufactured: Turkey

| Part No. | External Grill Dimensions (mm) | Fan Dimensions (mm) | Install Depth (mm) | Filtered Airflow M3/hr | Supply |
|----------|--------------------------------|---------------------|--------------------|------------------------|--------------|
| FAN34 | 105 x 105 | 80 x 80 | 55mm | 34 | 230V-50/60Hz |

Fan Technical Data

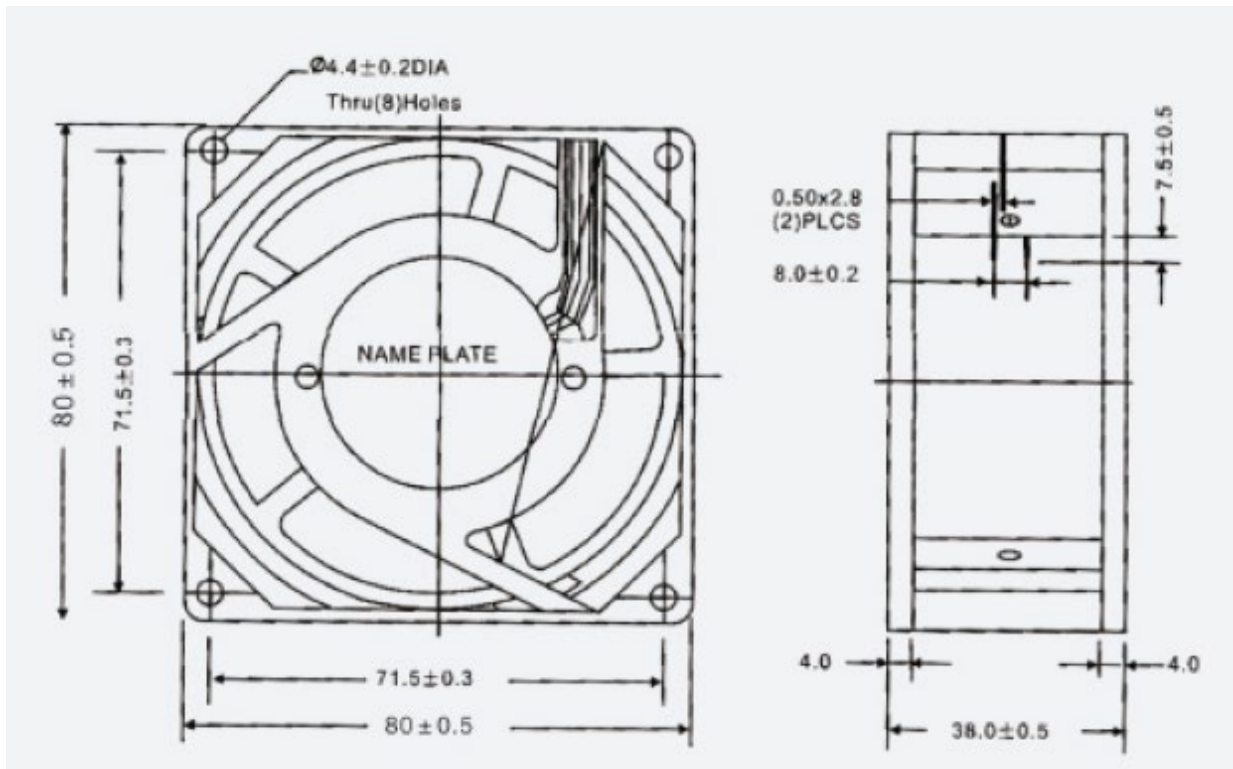


| Electrical Characteristics | |
|----------------------------|--------------------------------|
| Bearing System | Sleeve |
| Voltage | 200/240VAC |
| Frequency | 50/60 Hz |
| Current A | 0.06/0.05 |
| Power | 9.5/7W |
| Speed | 2550/3100 RPM |
| Noise | 28/32dB(A) |
| Airflow | 23/28CFM |
| Phase | 1 |
| Weight | 275g |
| Impeller Material | PBT UL94-V0 Reinforced Plastic |
| Frame | Aluminum Alloy |
| Terminaller | 0,5 mm |

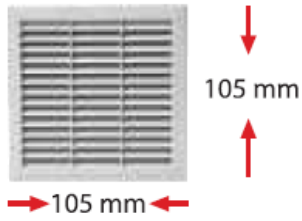
| | |
|-----------------------|-----------------------------|
| Lead Wire | AWG#22 UL 1569(Optional) |
| Motor | Shaded Pole Induction Motor |
| Operating Temperature | -10 ° / +65° |

Fan Dimensions

| | |
|---------|-------|
| Length: | 80 mm |
| Width: | 80 mm |
| Depth: | 38 mm |



Filter & Grill



| Electrical Characteristics | |
|----------------------------|-------------------|
| Dimensions | 105 x 105 x 15 mm |
| Protection Class | IP 40 |
| Material | Plastic |
| Color | RAL 7035 |
| Mounting | Fast Clip On |
| Cut Dimensions | 92 x 92 mm |
| Installation Depth | 10 mm |
| Features of Material | ABS UL94 V-0 |