

FILTER, FAN & GRILL – FAN285



Product Details

Manufactured: Turkey

Part No.	External Grill Dimensions (mm)	Fan Dimensions (mm)	Install Depth (mm)	Filtered Airflow M3/hr	Supply
FAN285	250 x 250	Circular 172 x 150	116	285	230V-50/60Hz

Fan Technical Data



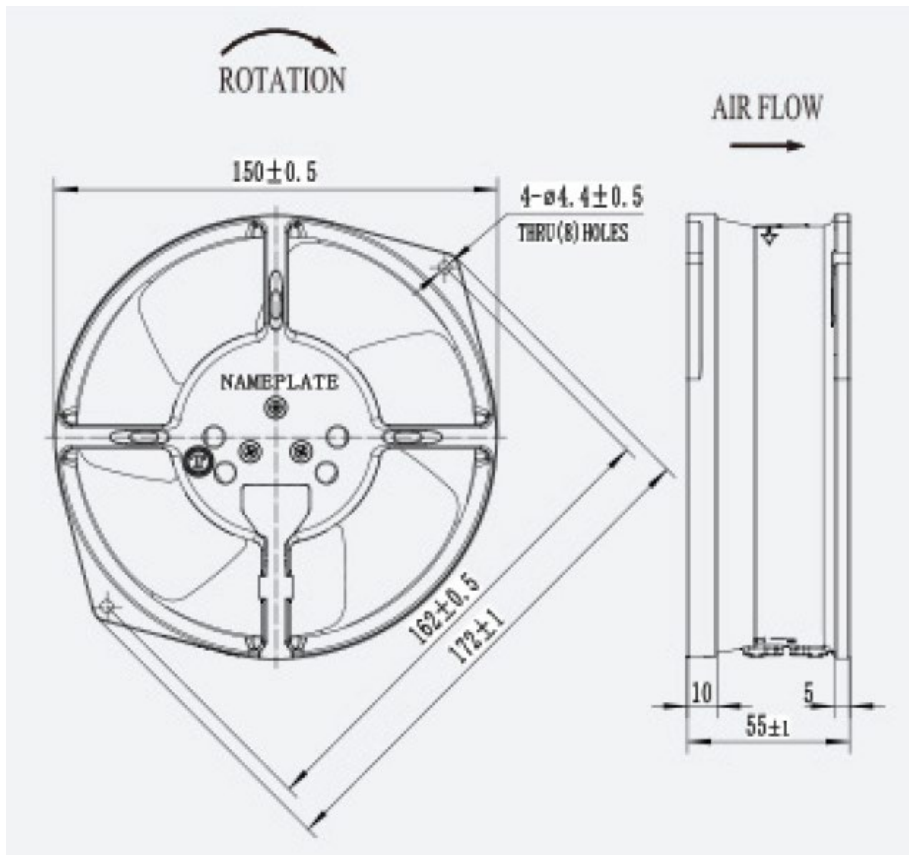
Electrical Characteristics

Bearing System	Ball
Voltage	200/240VAC
Frequency	50/60 Hz
Current A	0,25/0,2
Power	35/31W
Speed	2800/3100RPM
Noise	48/52dB(A)
Airflow	191/224CFM
Phase	1
Weight	1200g
Impeller Material	Metal
Frame	-
Terminaller	0,5 mm

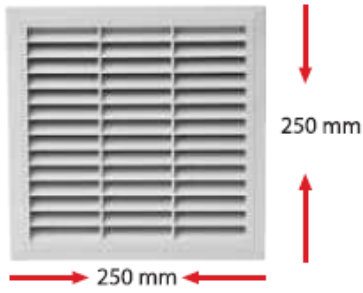
Lead Wire	Teflon22#UL 1332(Optional)
Motor	Shaded Pole And External Rotor Induction Motor
Operating Temperature	-10 ° / +65°

Fan Dimensions

Length:	172 mm
Width:	150 mm
Depth:	55 mm



Filter & Grill



Length: 250mm

Width: 250mm

Depth: 35mm

Protection Class	IP 54
Material	Plastic
Color	RAL 7035
Mounting	Fast Clip On
Cut Dimensions	221 x 221 mm
Installation Depth	25 mm
Features of Material	ABS UL94 V-0
Gasket	Polyurethane