

## FILTER, FAN & GRILL – FAN520



### Product Details

Manufactured: Turkey

Part No.	External Grill Dimensions (mm)	Fan Dimensions (mm)	Filtered Airflow M3/hr	Supply
FAN520	325 x 325	Circular 220 x 220	520	230V-50/60Hz

### Fan Technical Data



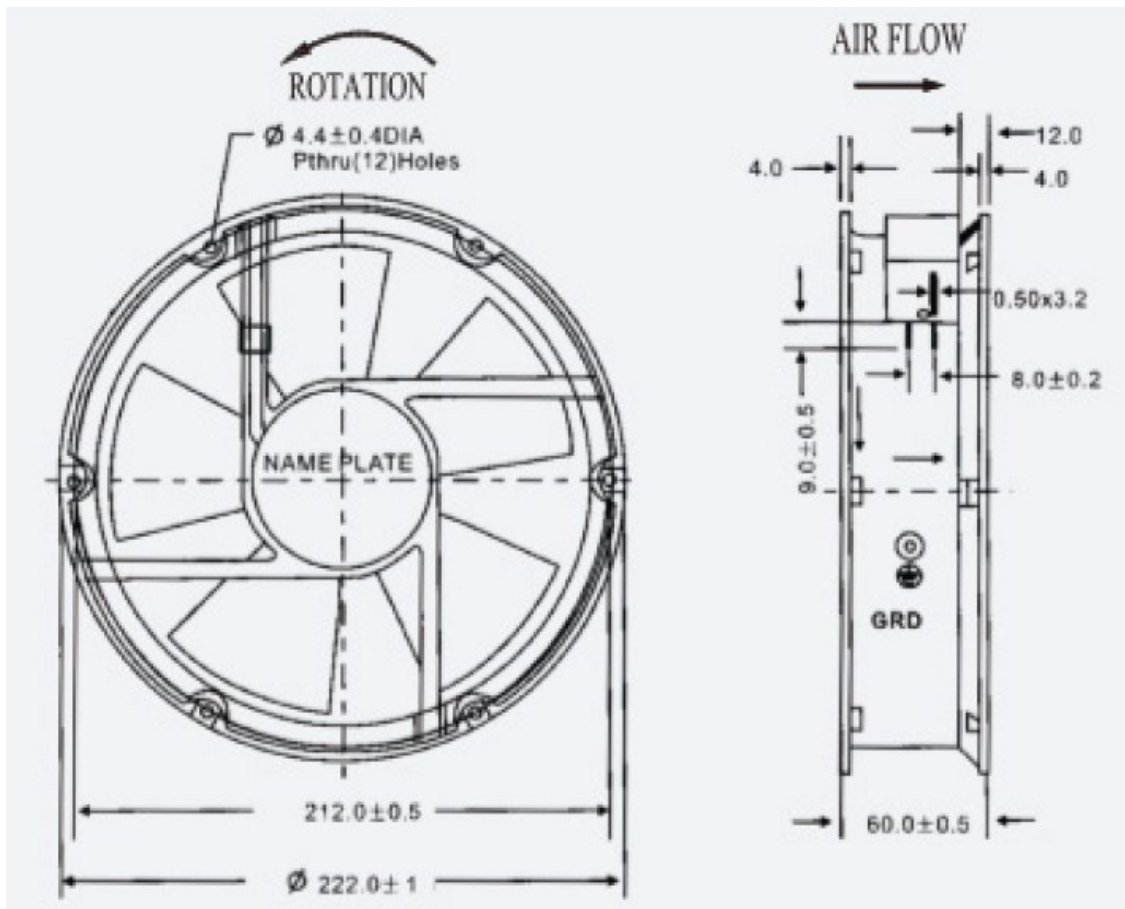
#### Electrical Characteristics

Bearing System	Ball
Voltage	200/240VAC
Frequency	50/60 Hz
Current A	0.32
Power	48/48W
Speed	2600/2800RPM
Noise	58/59dB(A)
Airflow	385/367CFM
Phase	1
Weight	1350g
Impeller Material	PBT UL94-V0 Reinforced Plastic
Frame	Aluminum Alloy
Terminaller	0,5 mm

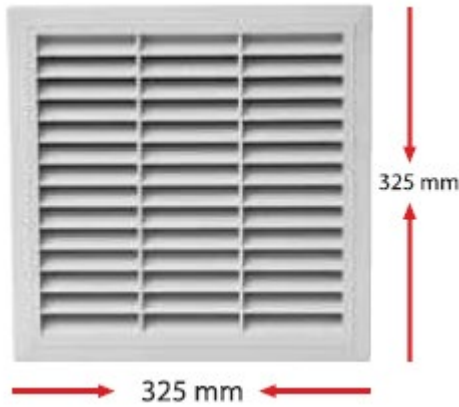
Lead Wire	Lead Wire: AWG#22 UL 1015(Optional)
Motor	Shaded Pole Induction Motor
Operating Temperature	-10 ° / +65°

**Fan Dimensions**

Diameter	Ø220mm x 60mm
----------	---------------



**Filter & Grill**



Electrical Characteristics	
Dimensions	325 x 325 x 37 mm
Protection Class	IP 54
Material	Plastic
Color	RAL 7035
Mounting	Fast Clip On
Cut Dimensions	291 x 291 mm
Installation Depth	30 mm
Features of Material	ABS UL94 V-0
Gasket	Polyurethane