

FILTER, FAN & GRILL – FAN755



Product Details

Manufactured: Turkey

Part No.	External Grill Dimensions (mm)	Fan Dimensions (mm)	Filtered Airflow M3/hr	Supply
FAN755	250 x 250	225 x 225	755	230V-50/60Hz

Fan Technical Data

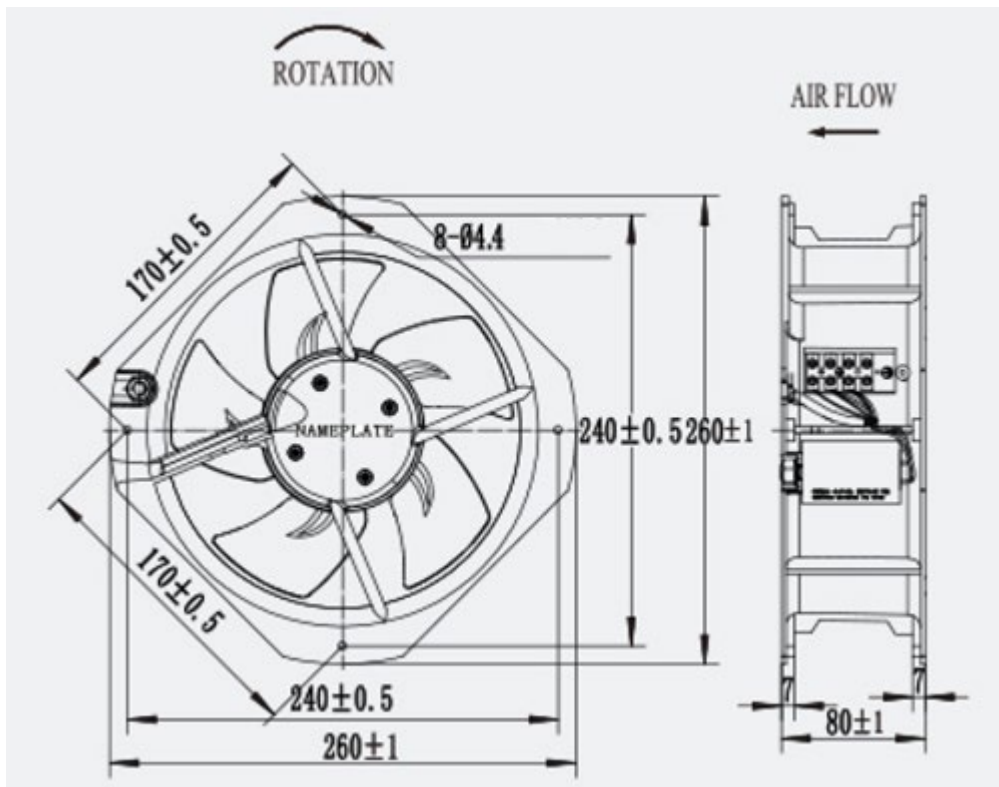


Electrical Characteristics	
Bearing System	Ball
Voltage	200/240VAC
Frequency	50/60 Hz
Current A	0,35/0,28
Power	60/80W
Speed	2550/2850RPM
Noise	65/68 dB(A)
Airflow	605/642CFM
Phase	1
Weight	2112g
Impeller Material	Metal
Frame	Aluminum Alloy
Terminaller	0,5 mm

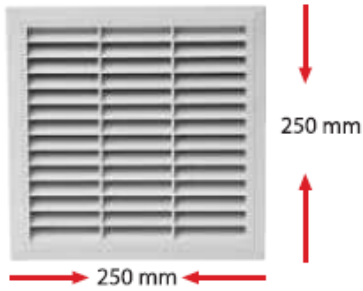
Lead Wire	Teflon 22#UL 1332(Optional)
Motor	Capacitor-Run And External Rotor Induction Motor
Operating Temperature	-10 ° / +65°
Capacitor	2,2/500 μ F/VAC

Fan Dimensions

Length:	225 mm
Width:	225 mm
Depth:	80 mm



Filter & Grill



Length: 250mm

Width: 250mm

Depth: 35mm

Protection Class	IP 54
Material	Plastic
Color	RAL 7035
Mounting	Fast Clip On
Cut Dimensions	221 x 221 mm
Installation Depth	25 mm
Features of Material	ABS UL94 V-0
Gasket	Polyurethane