

Degson Universal Terminal Group Marker

Specifications

Universal mounting foot for NS 35 DIN rail

Insulation Material: PA

Colour: Grey

Mounting type: NS35

Flame retardant grade, in line with UL 94: V0

Number of positions: 1

Width: 15.6mm

Lettering field size: 40 x 12mm

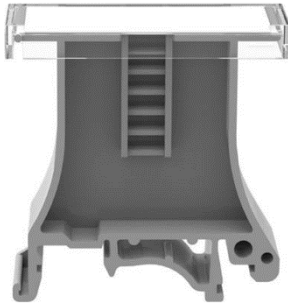
Operating Temperature: -40°C - 105°C

Conforms to RoHS: No excessive harmful substances

REACH SVHC: Lead 7439-92-1

Manufacturer: Degson

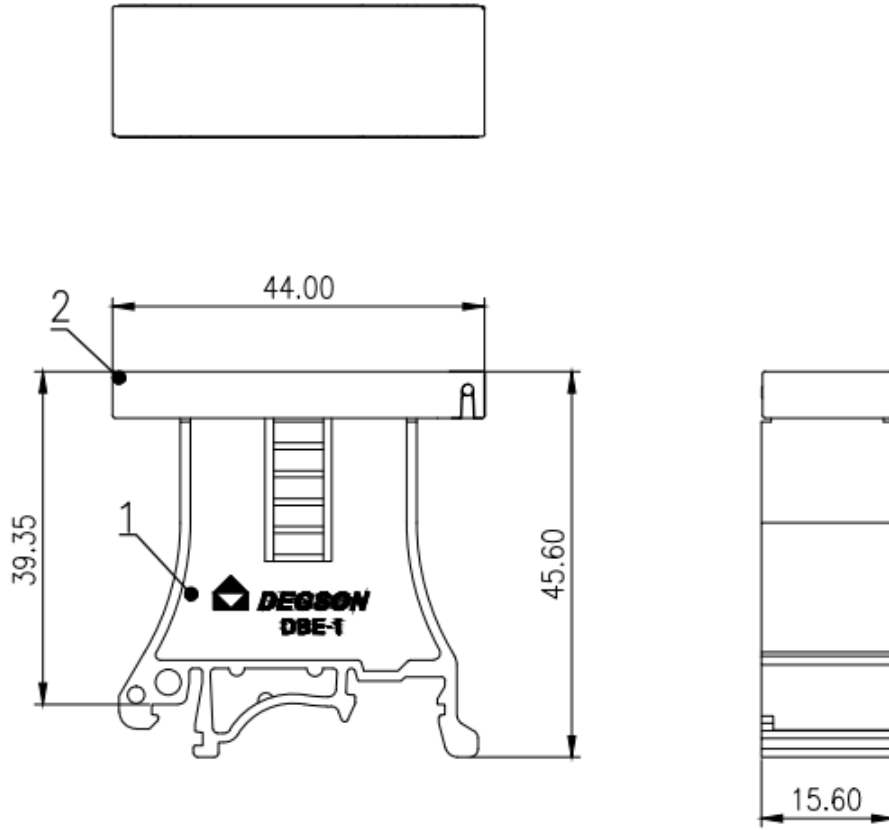
Product Image



Product Details

Part No.	Description	Compatible with Degson Terminals
DBE-1	Universal Terminal Group Marker	<ul style="list-style-type: none">• PC Series• DC Series• DS Series

Product Dimensions



Subject to change without notice