

## Pilot Lights - Dual Colour

### Specifications

Colour:	Red/Green
Hole Diameter:	Ø 22mm
Working Environment Temperature:	-25°C - 55°C
Standard Rating:	IEC60947-7-1
Rated Insulation Voltage:	660V
Rated Operational Current:	20mA
Luminance:	100cd/m <sup>2</sup>
Insulation Resistance:	10mΩ
Ingress Protection (rear face):	IP40
Ingress Protection (front face):	IP65
Service Life:	30,000 hours
VA Rating:	24VAC/DC - 0.48VA 220VAC/DC - 4.4VA

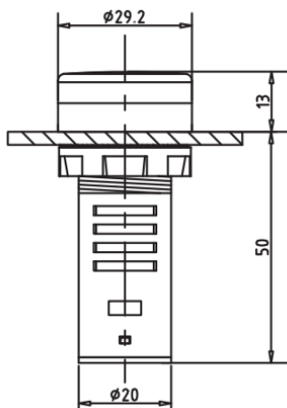
### Product Images



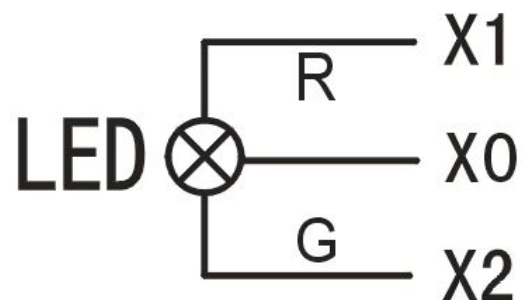
### Product Details

Part No.	Colour	Description
PL22-RG24V-D	Red/Green	Direct Wire 24V AC/DC Pilot Light Dual Colour

### Product Dimensions



### Wiring Diagram



Subject to change without notice