

DIN Mount GPO Terminal Shroud

Features

- Single outlet
- Safety cover
- Finger protection
- Suitable for use with 10/15Amp DIN Mount GPOs

Product Images



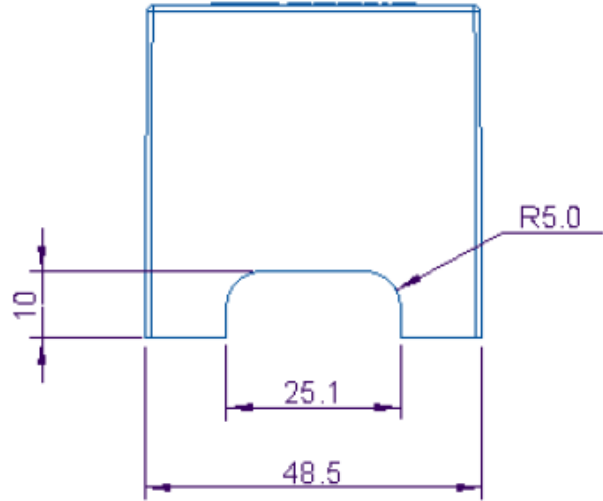
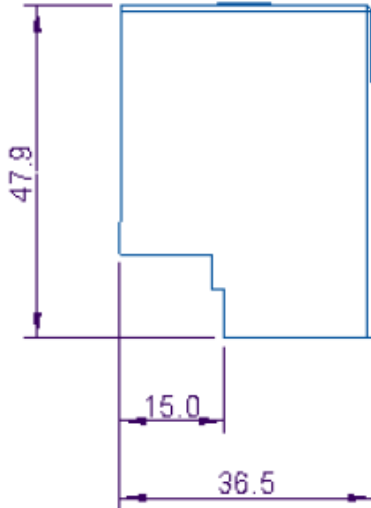
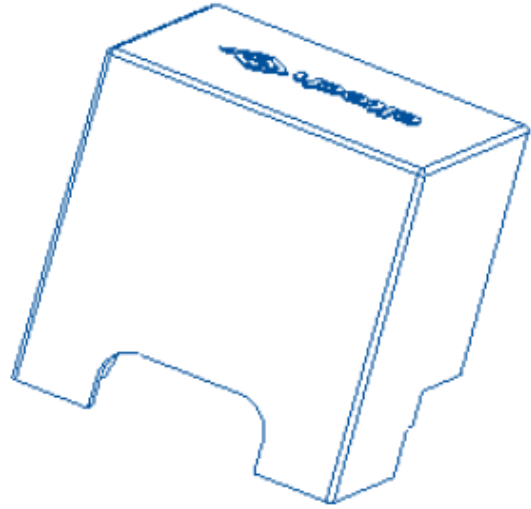
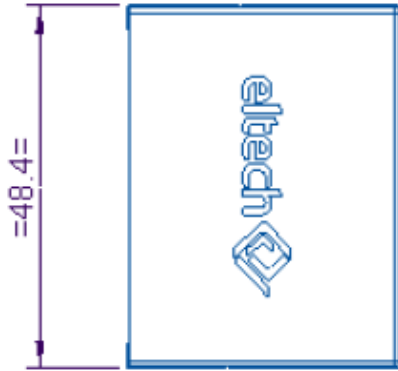
Product Details

Part No.	Description
GPOCOV	DIN Mount GPO Terminal Shroud

Specifications

- Type: DIN Mount GPO Terminal Shroud
- Glow Wire: 850°C
- Length: 48.5mm
- Height: 48mm
- Width: 36.5mm
- Mounting: Snap lock
- Weight: 17g
- Enclosure Material: PC Makrolon 2807 UL Certified
- Product Colour: Tele Grey

Dimension Diagrams



Subject to change without notice