

4 Pole Relay Base – Screw Clamp

Product Image



Specifications

- Rated current / Rated voltage: 12A / 300V
- Dielectric strength adjacent to contact circuits: 2500
- Conductor cross section solid and stranded: min 0.5mm² / max 2.5mm²
- Conductor cross section (A.W.G): min. 20 / max. 14
- Stripping length: 7mm
- Screw Thread: M3
- Ambient temperature operation: -25°C – 85°C

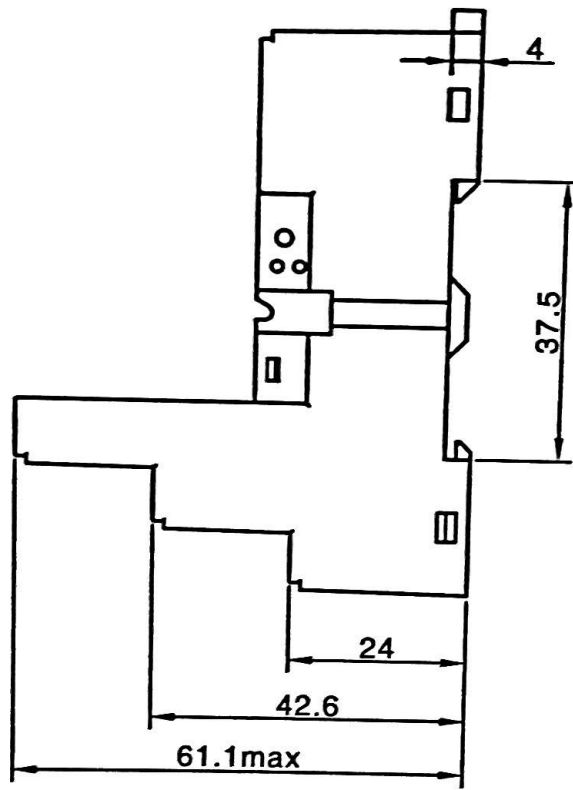
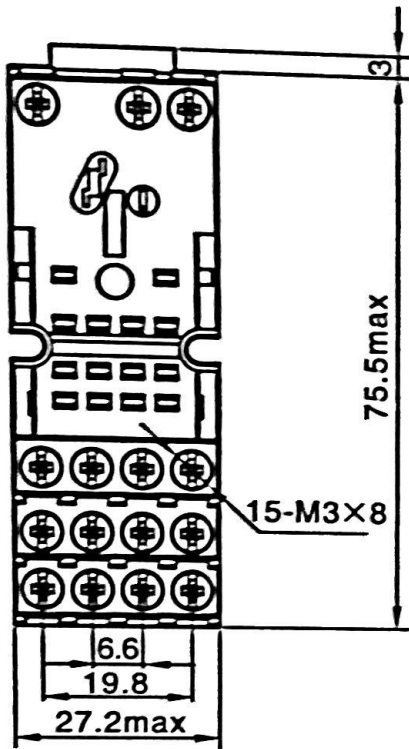
Product Details

| Part No. | Detail |
|----------|---------------------------------|
| RB-4P-E4 | 4 Pole Relay Base – Screw Clamp |

Product Certifications

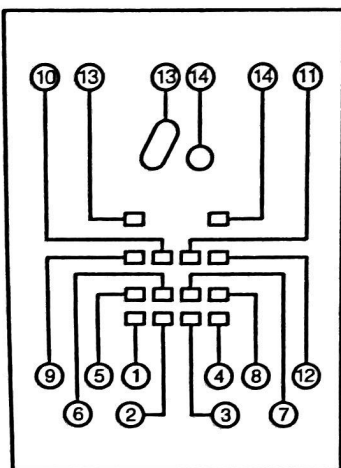


Product Dimensions



Dimensions in mm

Wiring Diagram



Subject to change without notice