

DC Power Supplies

General Information

Brand: Multispan

Products type: DC Power Supplies are used to provide an extra low voltage power source to system elements that humans are in regular with, or are mounted on exposed metal surfaces, such as pushbuttons and pilot lights.

Suitable For: With a 1A output, these models are ideal for automation and industrial control applications with low power requirements such as basic signalling and indication.



Pre-2024 Design

2024 Design

Dimensions

90mm High x 66mm Deep x 22.5mm Wide (models manufactured prior to May 2024)

90mm High x 75mm Deep x 22.5mm Wide (models manufactured after May 2024)

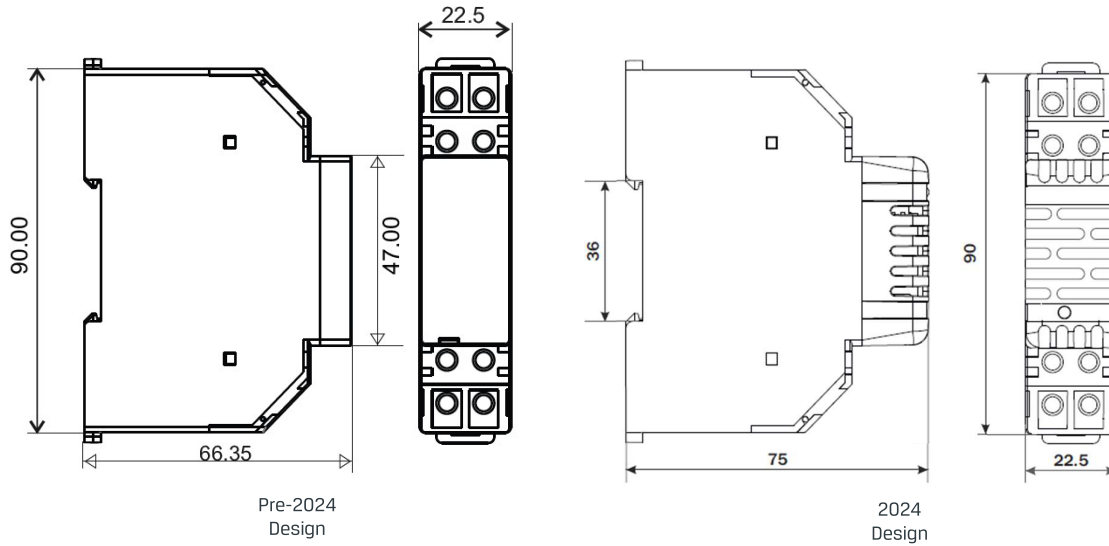
Specifications

Technical Characteristic	Value
Supply Voltage	100 to 270VAC±10% (L-N)
Input Current	0.25A @100VAC - 0.13A@270VAC (12V model) 0.49A @ 100VAC - 0.24A@270VAC (24V model)
Output Current	1A @ 12VDC (12V model) 1A @ 24VDC (24V model)
Efficiency	>85% @ 230VAC
Start Up Time	<1 sec @ 230VAC & <3 sec @ 100VAC (Full Load)
Output Ripple & Noise	<1% of Vout
Line & Load Regulation	± 1%
Hold-Up Time	<60ms @ 230VAC & >15ms @ 100VAC (Full Load)
LED Indication	Power On
Input Fuse	2A 250VAC Internal
Output Overload	110% - 120% Overload, Short Circuit and Over Temperature. All Auto recover
Input / Output Isolation	2.5kV
Working Temperature	-25°C to 50°C De-rate output power at 3w/°C above +50°C Ambient
Screw Connections	M3.5 1Nm torque
Wire Size	0.5 – 4.0mm ²

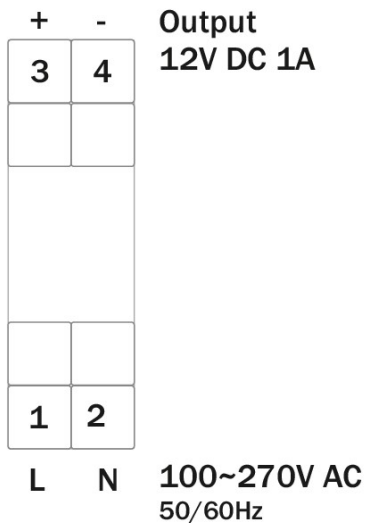
Part Numbers

Rating	Part Number
12V 1A	PS12.1A
24V 1A	PS24.1A

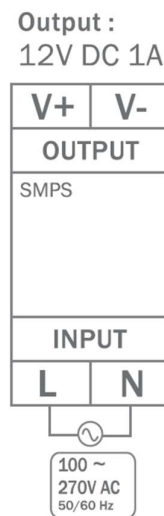
Dimension Diagrams



Terminal Connections



Pre-2024 Design



2024 Design