

ELCTABO Series Solid Core Current Transformer

Model: ELCTABO



Key Features

- Two built in fixing methods: 1 side base; Busbar mounting
- Built in hinged terminal cover
- Built in transparent cover for name plate
- Wide range accuracy (3,1,0.5,)
- Primary current from 50A to 3000A

Product Description

ELCTABO perfect designed plastic case current transformer, advanced snap on body, high accuracy humanization transparent cover and lead seal hole design make the CT very easy to identify after long-term use and perfect anti-stealing electricity.

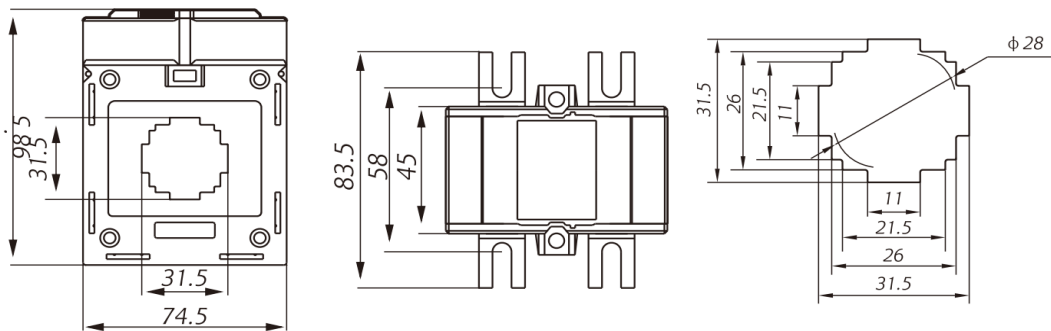
Specification Table

Rated Frequency	50Hz-60Hz
Rated current	5A to 3000A loads
Rated output	5A, 1A, 0.5A, 0.25A, 0.1A
Accuracy	±1% from 20% to 120% of rated current
Rated short-time thermal current (I _{th})	60I _n
Rated voltage (U _m)	1.2 I _n
Operating temperature	-10°C~50°C
Housing self-extinguishing class	VO
Standard	IEC 61869-2

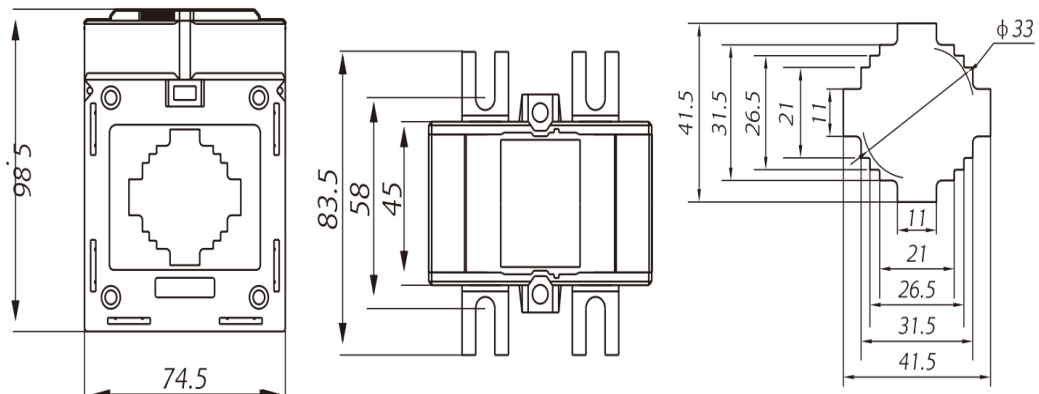
SKU	Rated Amp(A)	Burden (VA) Class 0.5	Burden (VA) Class 1
ELCTABO3060	60/5	1.5	2.5
ELCTABO30100	100/5	3.75	5
ELCTABO30160	160/5	5	5
ELCTABO40250	250/5	5	5
ELCTABO60400	400/5	5	5
ELCTABO60630	630/5	5	10
ELCTABO100800	800/5	5	10
ELCTABO1001000	1000/5	5	10
ELCTABO1001250	1200/5	7.5	10
ELCTABO1001600	1600/5	7.5	10
ELCTABO1002000	2000/5	10	15
ELCTABO1003000	3000/5	10	15

Dimension Drawings

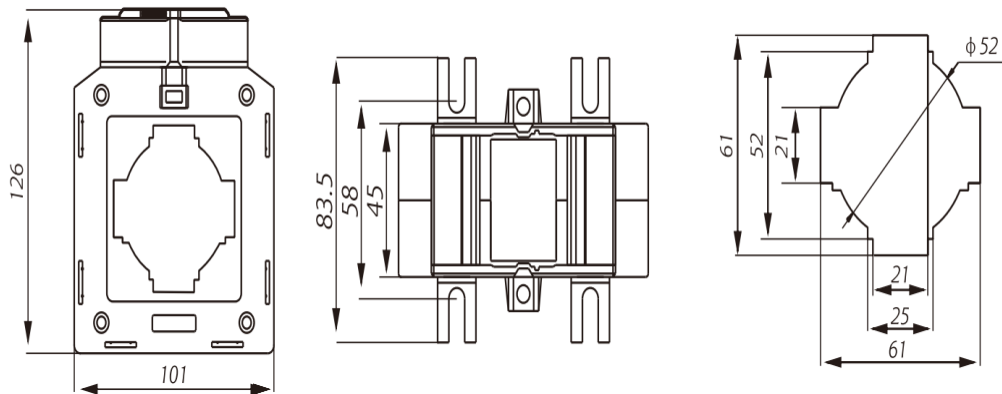
ELCTABO30:



ELCTABO40:



ELCTABO60:



ELCTABO100:

